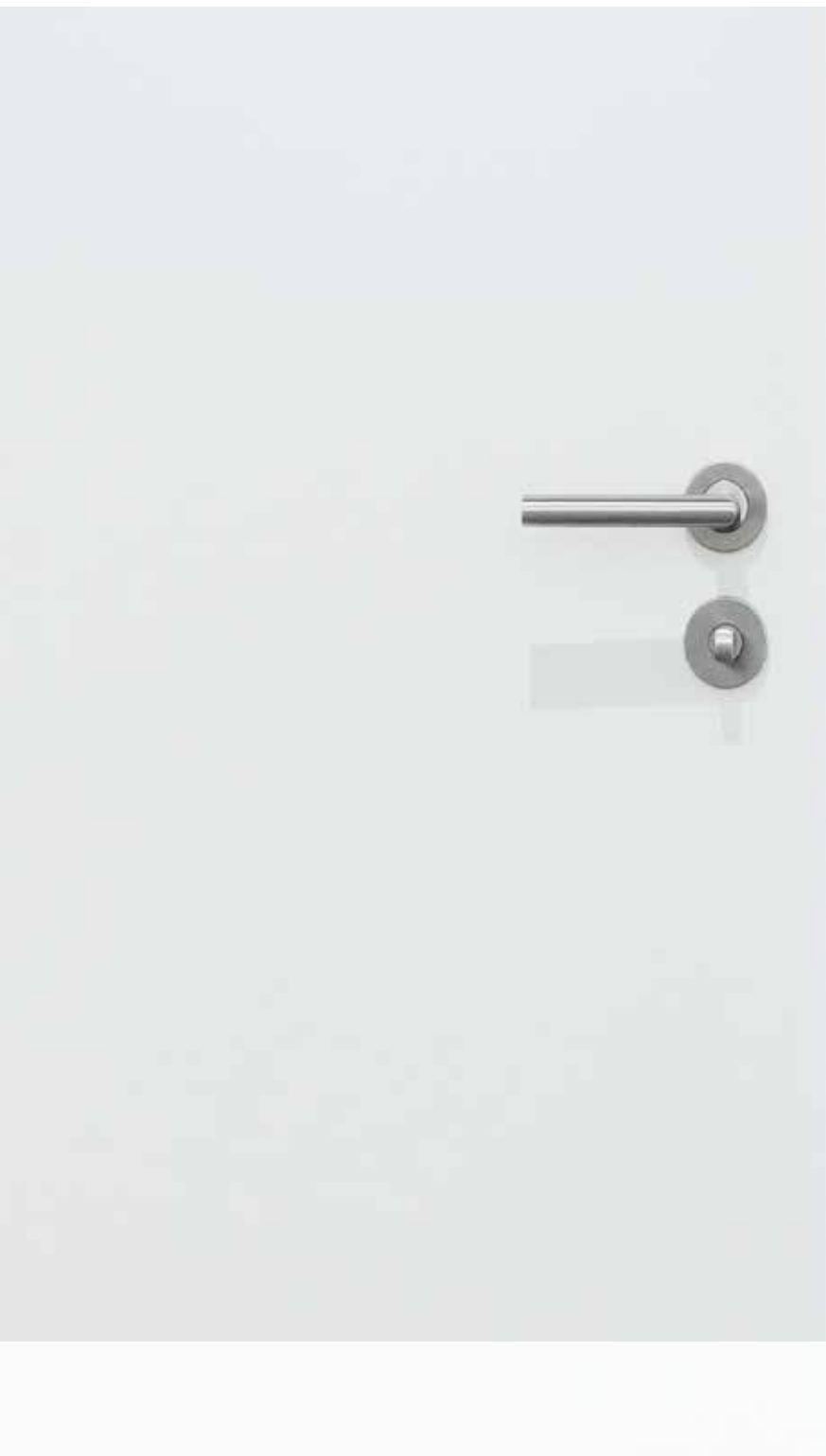


GEZE DOOR HARDWARE  
COMPLEMENTARY PORTFOLIO



**TABLE OF CONTENTS**

<b>GEZE door set</b>	<b>4</b>
<b>GEZE mortice locks</b>	<b>5</b>
Standard locks	<b>6</b>
Special function locks	<b>10</b>
<b>GEZE profile cylinders</b>	<b>12</b>
Double profile cylinder	<b>13</b>
Half profile cylinder	<b>15</b>
<b>GEZE lever handles</b>	<b>16</b>
Tubular lever handles	<b>17</b>
Solid lever handles	<b>22</b>
<b>GEZE butt hinges</b>	<b>24</b>
<b>GEZE panic hardware</b>	<b>30</b>
<b>GEZE hardware accessories</b>	<b>34</b>
Door stops and door holders	<b>35</b>
Flush bolts	<b>37</b>
Door seals	<b>39</b>
Handles	<b>39</b>
Door viewers	<b>45</b>
Locking devices	<b>46</b>
Additional accessories	<b>47</b>

**GEZE door set**

**All-in-one solution for wooden and metal door application**

GEZE provides a wide range of products for wooden and metal door applications from a single source. The GEZE door set product category covers mortice locks, European profile cylinders, lever handles and hinges. Since the dimensions of all these products comply with DIN standards (DIN 18251 for mortice locks, DIN 18252 for profile cylinders and DIN 18255 for lever handles), the products are compatible amongst themselves regarding their functionality. All parts of the functional units are also perfectly aligned with each other. This contributes to a consistent and attractive overall impression and guarantees combinations that suit the application and the individual needs.

With the complementary door set product range GEZE offers a perfect extension to the well-known and vast basic GEZE portfolio and creates a complete all-in-one solution from a single source whilst integrating the overall GEZE look & feel.



## GEZE mortice locks

### Mortice locks for single-leaf doors

GEZE locks are available for metal and wooden doors in combination with standard European profile cylinders. The main lock versions are tested and certified according to EN 12209 to ensure the highest standard on fire and smoke protection doors. The casing of the locks is white galvanized. Their face plates and strike plates are made of stainless steel 304 and visual satin finished and vertically brushed surface. All products are provided with a reversible latch, suitable for left and right-hung doors, and will have a GEZE logo on the top of the faceplate. All dimensions in accordance with DIN 18251.

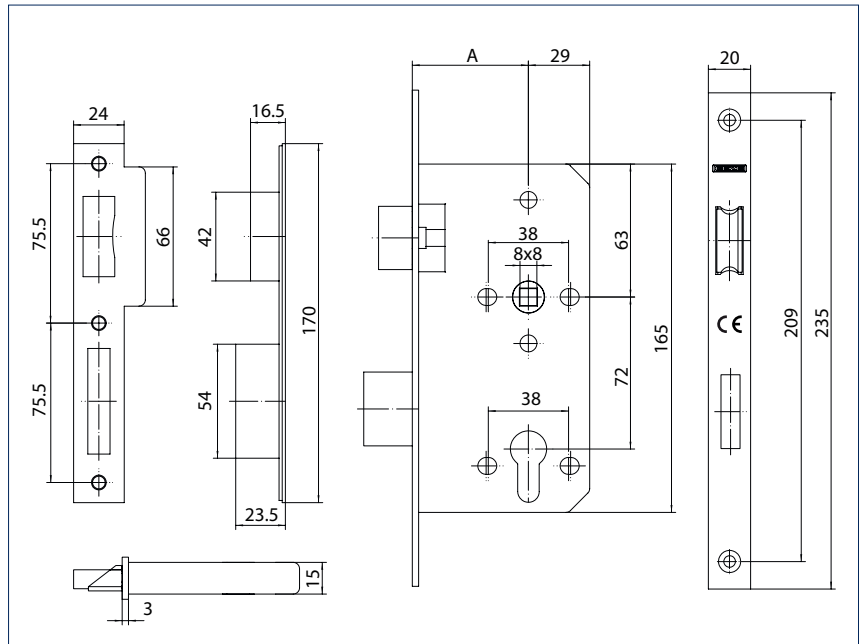
#### Area of application

- For single-leaf metal and wooden doors
- For application with standard European profile cylinders and lever handles with 8x8 mm square spindle
- All locks provided with reversible latch, suitable for left and right-hung doors



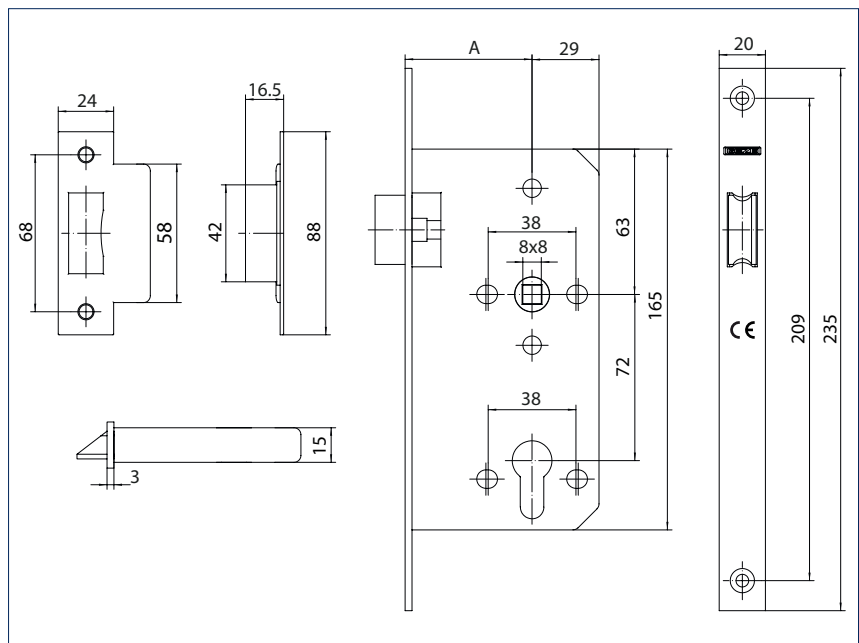
Standard locks

GEZE lock ML SL 72



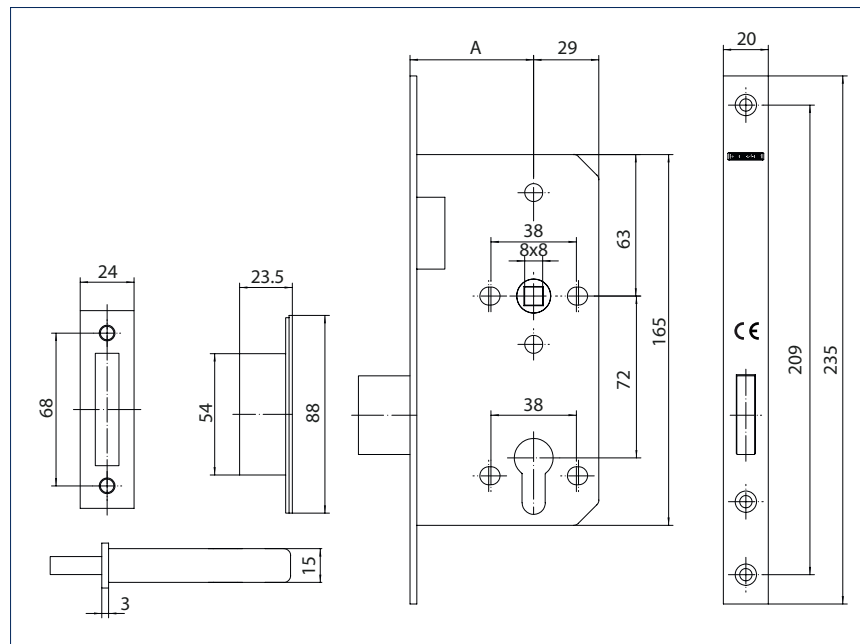
A = Backset

GEZE lock ML PL 72



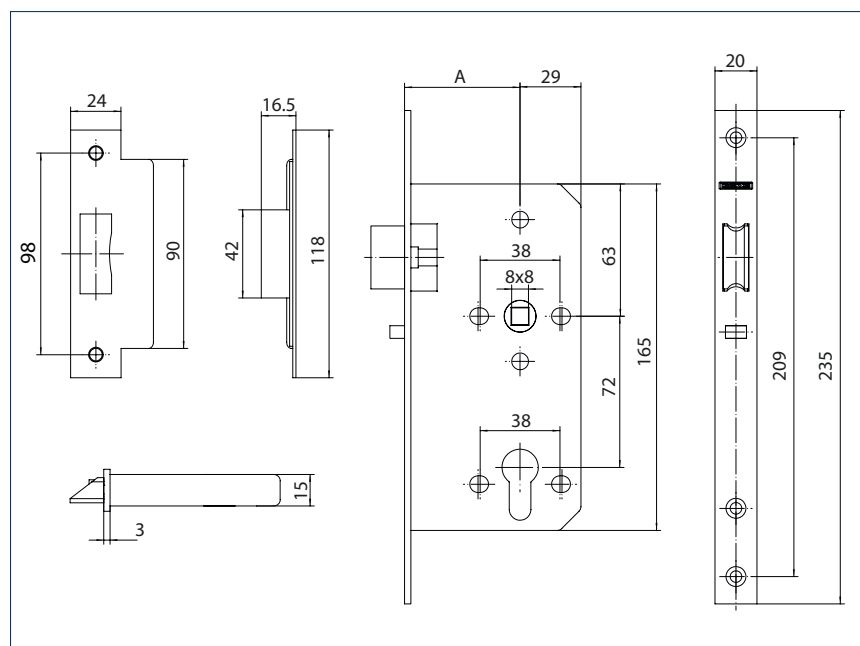
A = Backset

**GEZE lock ML DL 72**



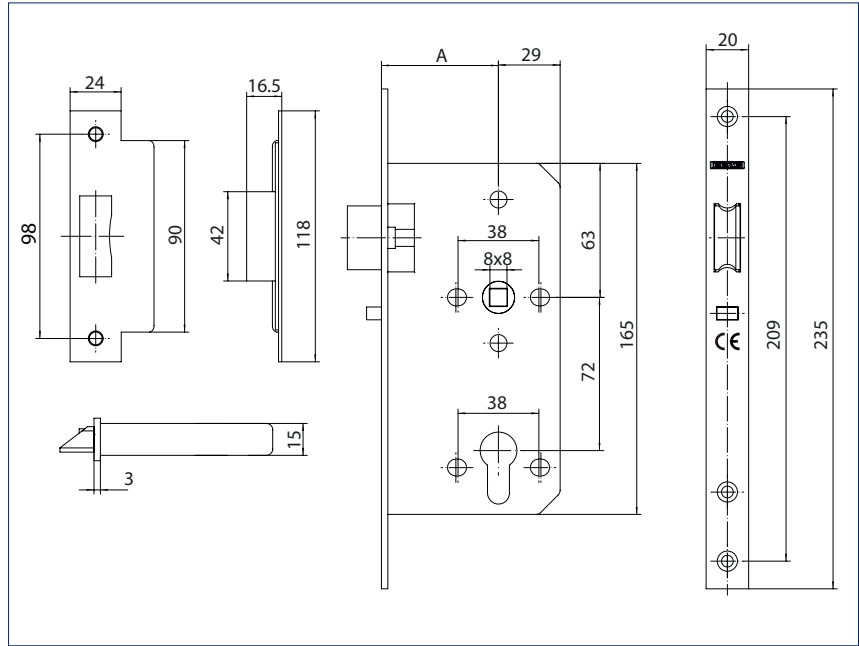
A = Backset

**GEZE lock ML CL 72**



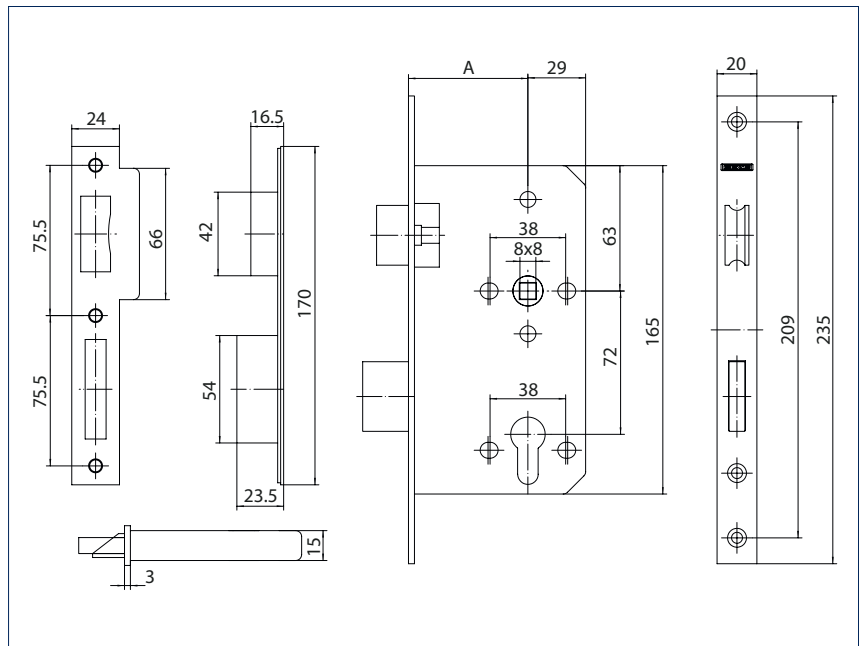
A = Backset

**GEZE lock ML NFL 72**



A = Backset

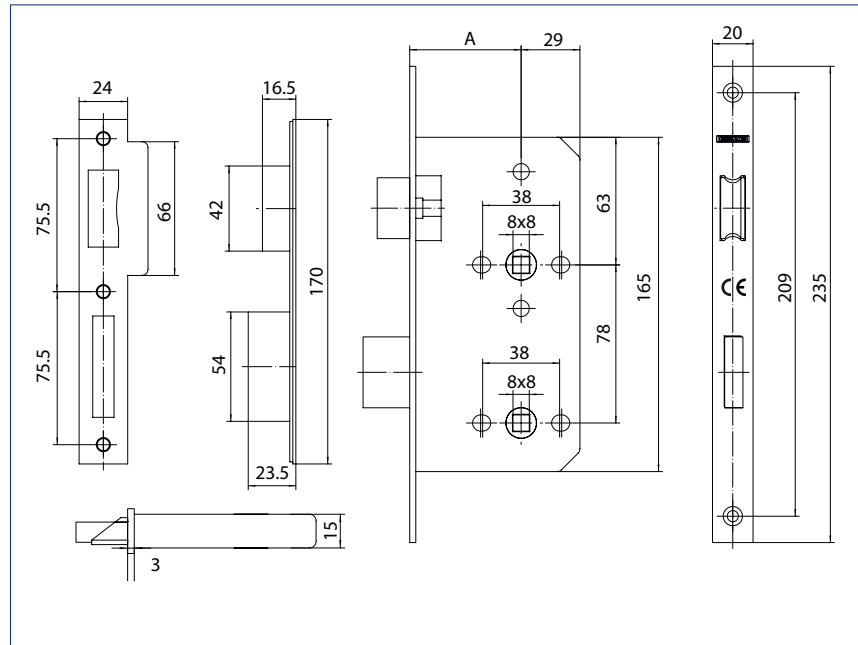
**GEZE lock ML Panic Lock 72**



A = Backset



**GEZE lock ML Privacy Lock 78**



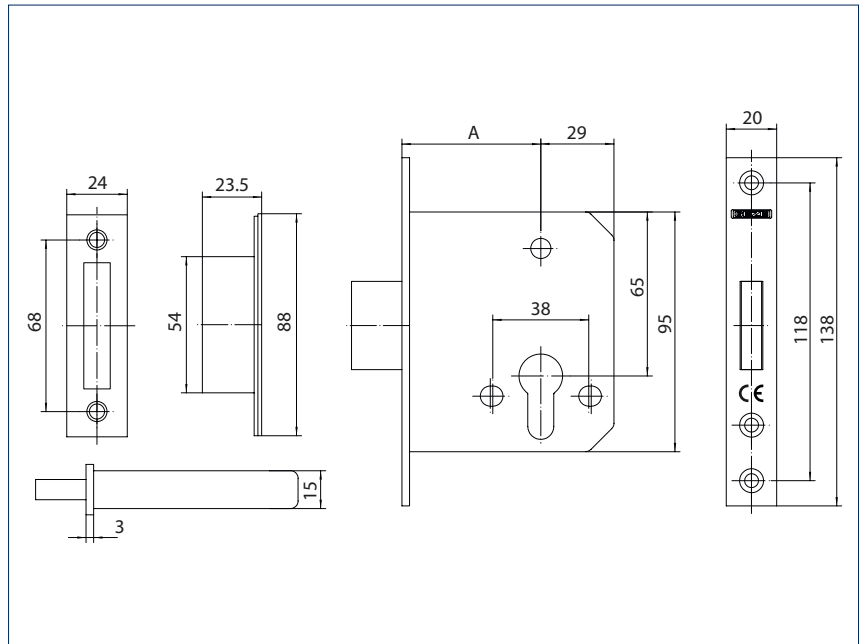
A = Backset

**Order information**

Description	Backset	Surface	ID no.
GEZE lock ML SL 72 Mortice sashlock 72 mm C/C with mounting accessories and strike plate	55 mm 60 mm	Brushed stainless steel Brushed stainless steel	168463 168464
GEZE lock ML PL 72 Mortice passage lock 72 mm C/C with mounting accessories and strike plate	55 mm 60 mm	Brushed stainless steel Brushed stainless steel	168466 168467
GEZE lock ML DL 72 Mortice deadlock 72 mm C/C with mounting accessories and strike plate	55 mm 60 mm	Brushed stainless steel Brushed stainless steel	168469 168470
GEZE lock ML CL 72 Mortice classroom lock 72 mm C/C with mounting accessories and strike plate	55 mm 60 mm	Brushed stainless steel Brushed stainless steel	168473 168474
GEZE lock ML NFL 72 Mortice night function lock 72 mm C/C with mounting accessories and strike plate	55 mm 60 mm	Brushed stainless steel Brushed stainless steel	168476 168477
GEZE lock ML Panic Lock 72 Mortice panic lock 72 mm C/C with mounting accessories and strike plate	55 mm 60 mm	Brushed stainless steel Brushed stainless steel	168479 168480
GEZE lock ML Privacy Lock 78 Mortice privacy lock 78 mm C/C with mounting accessories and strike plate	55 mm 60 mm	Brushed stainless steel Brushed stainless steel	168486 168487

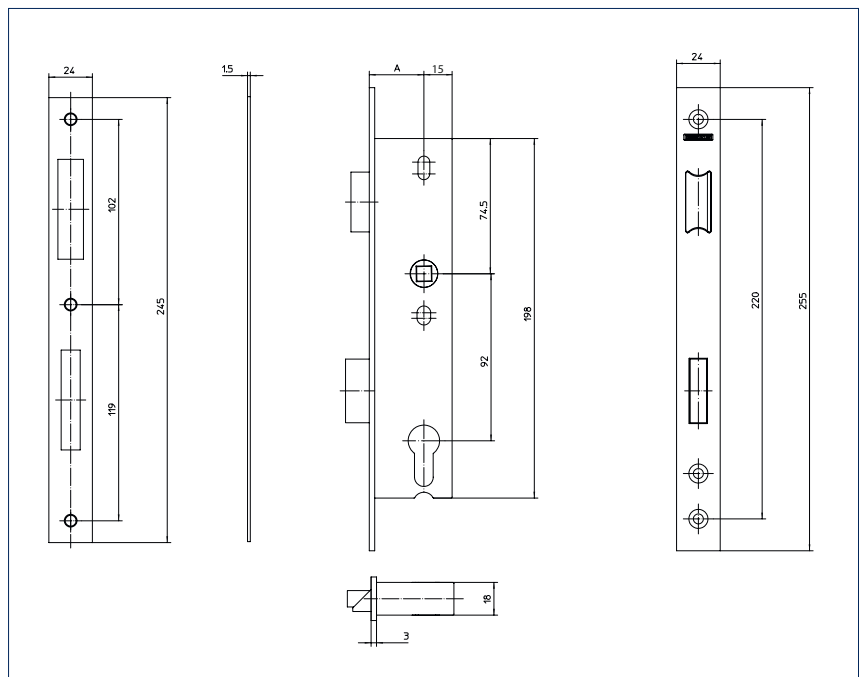
Special function locks

**GEZE lock ML DL S**



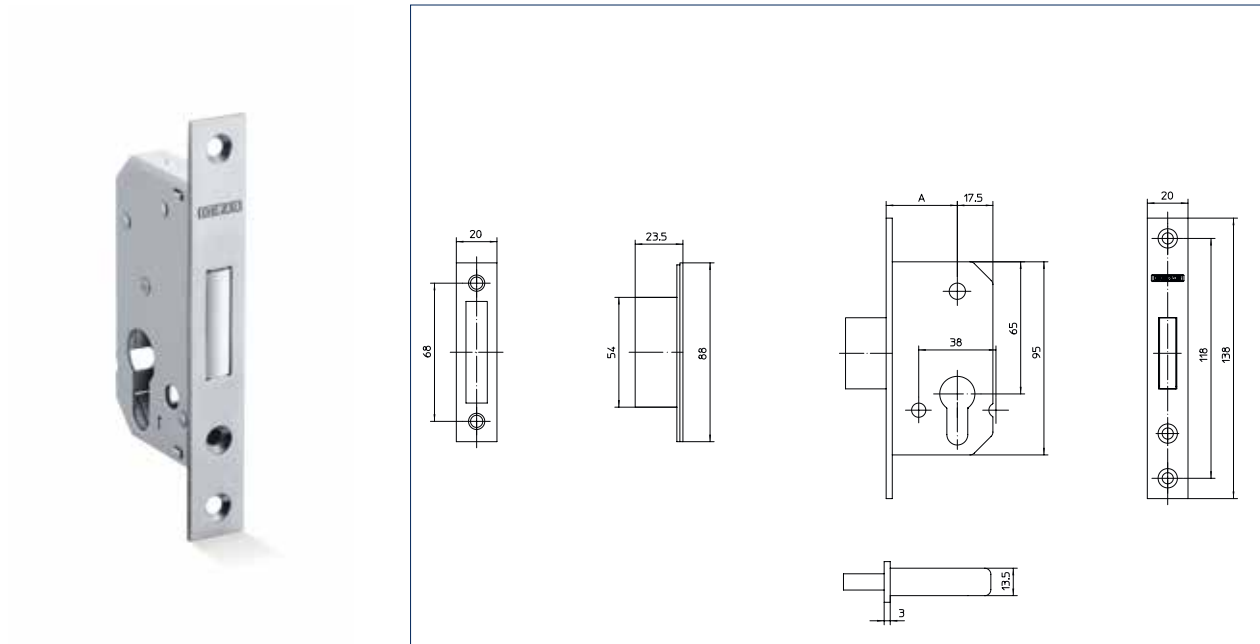
A = Backset

**GEZE lock ML NSL 92**



A = Backset

**GEZE lock ML NDL S**



A = Backset

**Order information**

Description	Backset	Surface	ID no.
GEZE lock ML DL S Mortice small deadlock with mounting accessories and strike plate	55 mm	Brushed stainless steel	168472
GEZE lock ML NSL 92 Narrow stile mortice sashlock 92 mm C/C with mounting accessories and strike plate	30 mm 35 mm	Brushed stainless steel Brushed stainless steel	168482 168483
GEZE lock ML NDL S Narrow stile mortice small dead lock with mounting accessories and strike plate	35 mm	Brushed stainless steel	168485

## GEZE profile cylinders

### European profile cylinders for GEZE mortice locks and GEZE patch locks

GEZE cylinders are suitable for all GEZE mortice locks and GEZE patch locks prepared for European profile cylinders. Five or six pin profile cylinders guarantee a high key-related security. The standard body is made of nickel-plated brass material. The visual surface is vertically brushed with a GEZE logo on it. All keys are provided with embossed GEZE logo on one side and a laser marked serial number on the other side matching the number on the profile cylinder. All dimensions in accordance with DIN 18252.

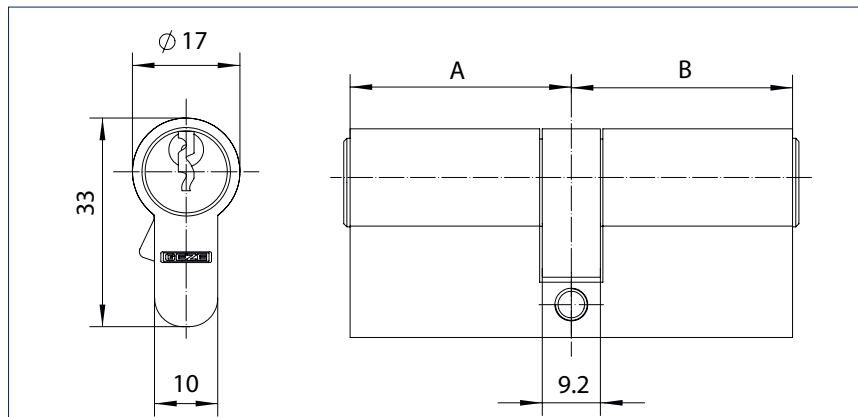
#### Area of application

- Suitable for all GEZE mortice locks and GEZE patch locks with preparation for European profile cylinders
- Maximum door thickness depends on height of profile cylinder escutcheon



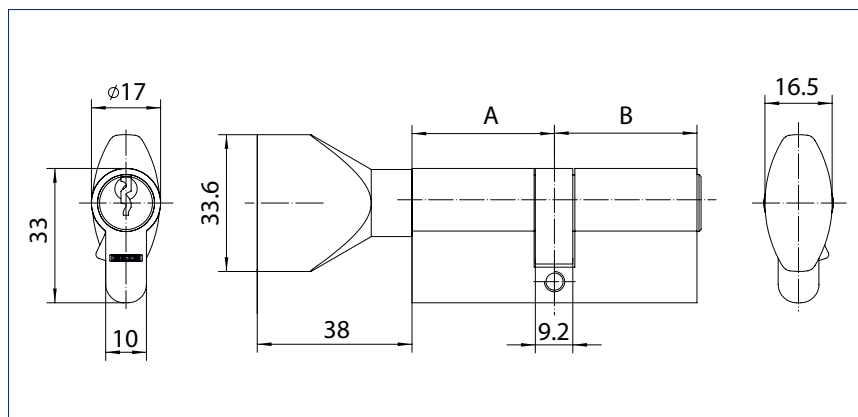
Double profile cylinders

**GEZE cylinder EPC K/K**



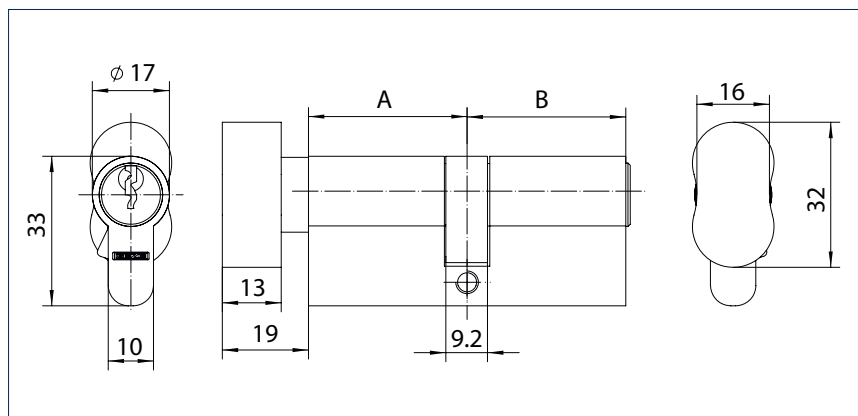
A = Cylinder length A  
B = Cylinder length B

**GEZE cylinder EPC K/T big knob**



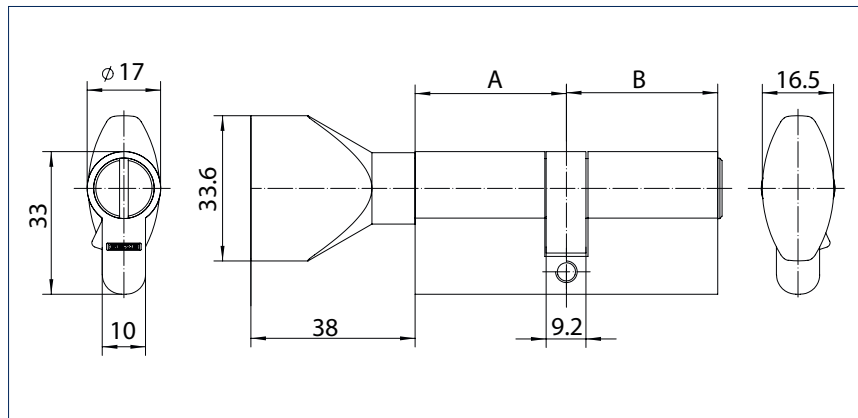
A = Cylinder length A  
B = Cylinder length B

**GEZE cylinder EPC K/T peanut knob**



A = Cylinder length A  
B = Cylinder length B

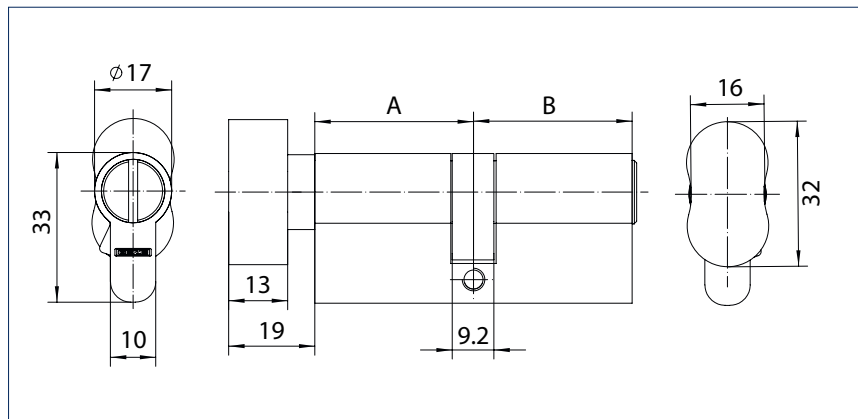
**GEZE cylinder EPC WC big knob**



A = Cylinder length A

B = Cylinder length B

**GEZE cylinder EPC WC peanut knob**



A = Cylinder length A

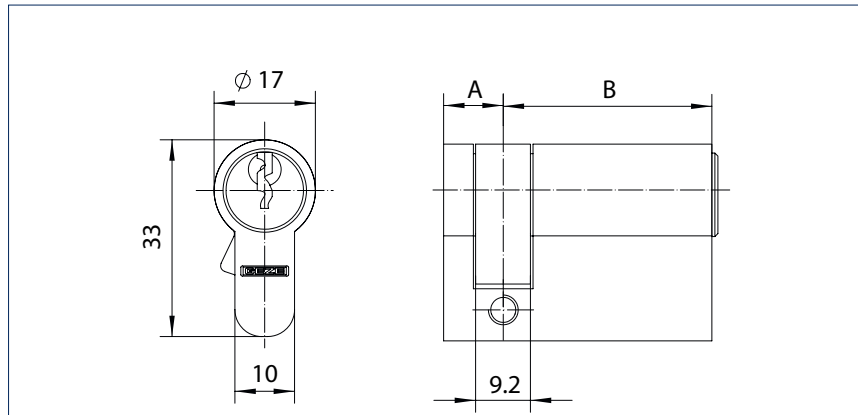
B = Cylinder length B

**Order information**

Description	Cylinder length A	Cylinder length B	Surface	ID no.
GEZE cylinder EPC K/K European profile double cylinder with M5 fixing screw (70 mm) and 3 keys	30 mm	30 mm	satin nickel plated	168489
	35 mm	35 mm	satin nickel plated	168490
	40 mm	40 mm	satin nickel plated	168491
GEZE cylinder EPC K/T big knob European profile double turn cylinder with big knob with M5 fixing screw (70 mm) and 3 keys	30 mm	30 mm	satin nickel plated	168495
	35 mm	35 mm	satin nickel plated	168496
	40 mm	40 mm	satin nickel plated	168497
GEZE cylinder EPC K/T peanut knob European profile double turn cylinder with peanut knob with M5 fixing screw (70 mm) and 3 keys	30 mm	30 mm	satin nickel plated	168500
	35 mm	35 mm	satin nickel plated	168501
	40 mm	40 mm	satin nickel plated	168502
GEZE cylinder EPC WC big knob European profile turn cylinder WC application with big knob with M5 fixing screw (70 mm)	35 mm	35 mm	satin nickel plated	168499
GEZE cylinder EPC WC peanut knob European profile turn cylinder WC application with peanut knob with M5 fixing screw (70 mm)	35 mm	35 mm	satin nickel plated	168498

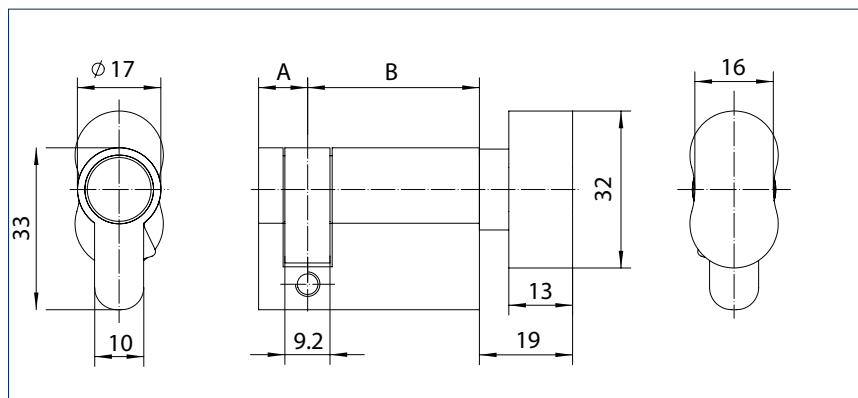
GEZE half profile cylinders

GEZE cylinder EPC K/0



A = Cylinder length A  
B = Cylinder length B

GEZE cylinder EPC T/0 peanut knob



A = Cylinder length A  
B = Cylinder length B

Order information

Description	Cylinder length A	Cylinder length B	Surface	ID no.
GEZE cylinder EPC K/0 European profile half cylinder with M5 fixing screw (70 mm) and 3 keys	10 mm	30 mm	satin nickel plated	168492
	10 mm	35 mm	satin nickel plated	168493
	10 mm	40 mm	satin nickel plated	168494
GEZE cylinder EPC T/0 peanut knob European profile half turn cylinder with peanut knob with M5 fixing screw (70 mm)	10 mm	30 mm	satin nickel plated	168503
	10 mm	35 mm	satin nickel plated	168504
	10 mm	40 mm	satin nickel plated	168505

## GEZE lever handles

### GEZE lever handles for wooden and metal door application

GEZE handles are available for metal and wooden door applications in combination with GEZE mortice locks. The contained escutcheon is equipped for GEZE profile cylinders and the base plate with six holes provides a wide range of mounting options. The durable stainless steel 304 spring-loaded door furniture is available in two versions: GEZE LH 100 handle series as a basic tubular option and the GEZE LH 300 handle series as a design-based solid option. All parts are available in satin finish. The GEZE logo is located on the top of one lever handle. All dimensions in accordance with DIN 18255.

#### Area of application

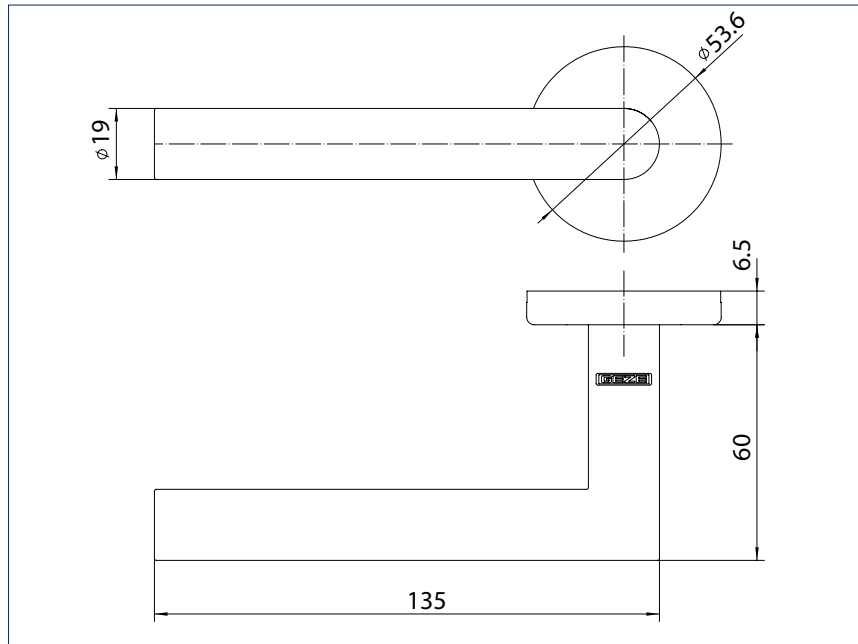
- For metal and wooden doors
- Door thickness 40 mm – 55 mm
- Suitable for left and right-hung doors



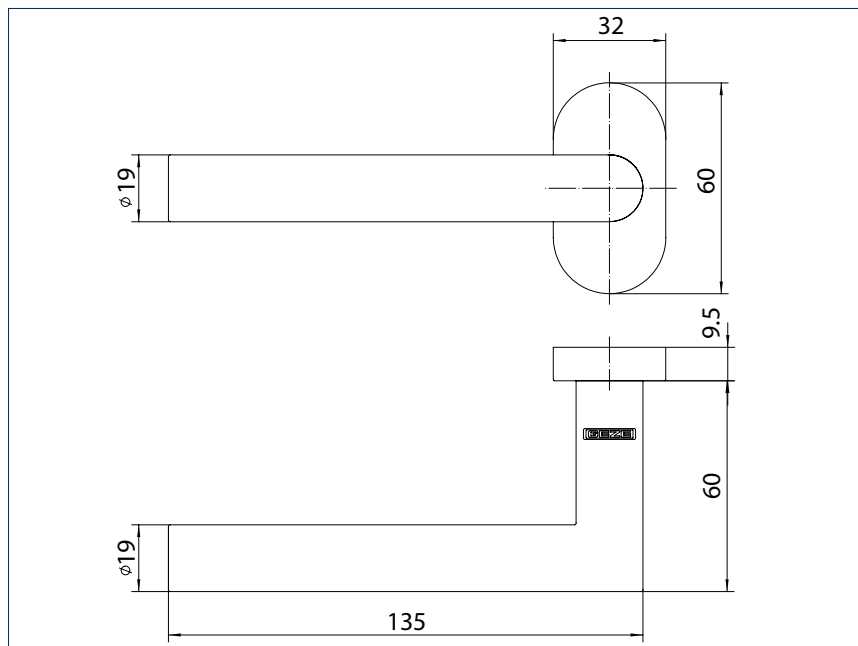


Tubular lever handles

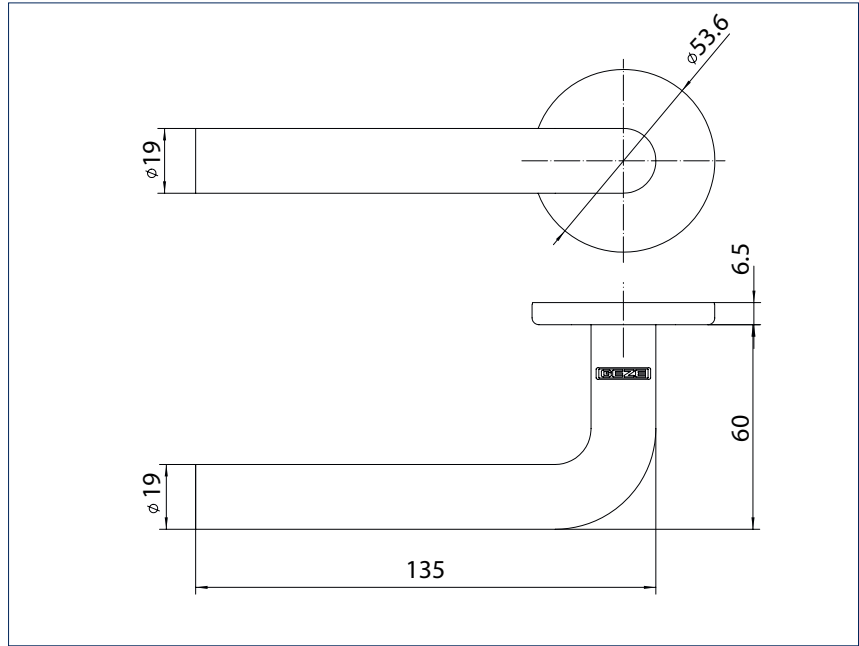
**GEZE handle LH 101 round**



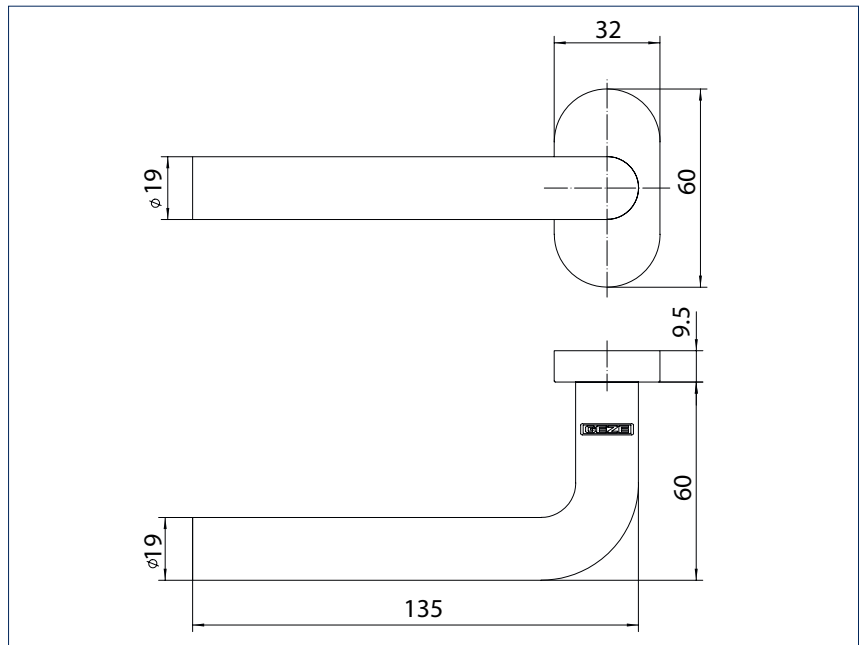
**GEZE handle LH 101 oval**



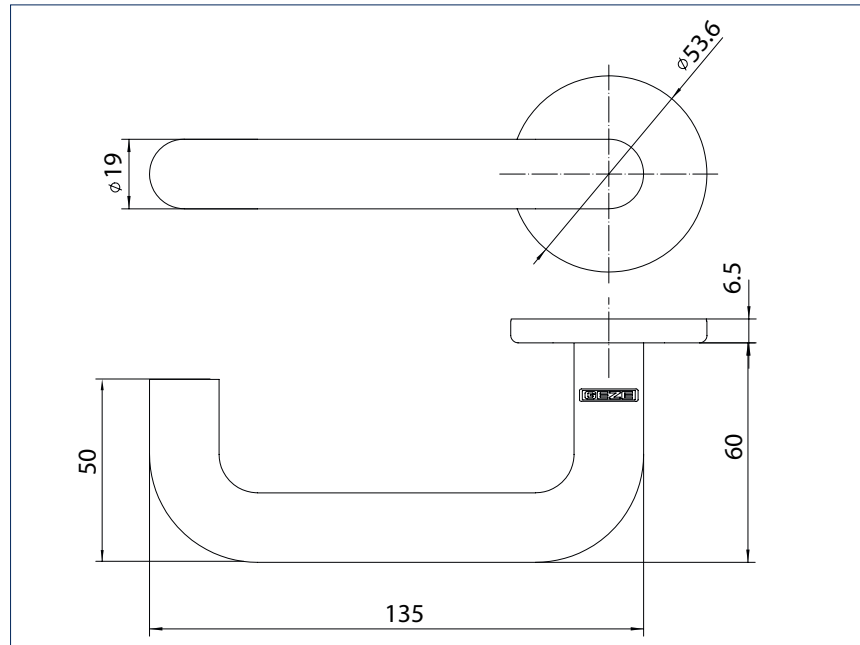
**GEZE handle LH 102 round**



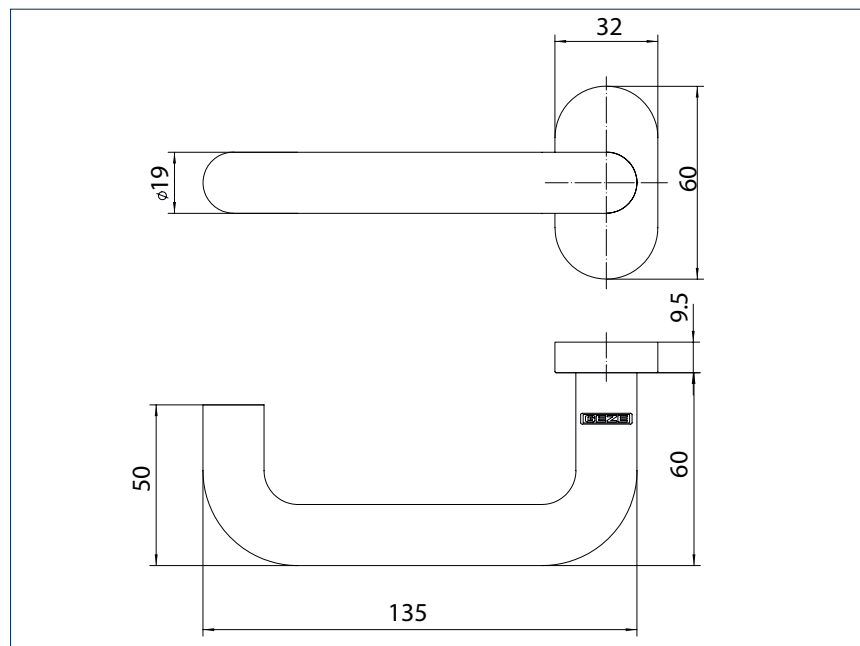
**GEZE handle LH 102 oval**



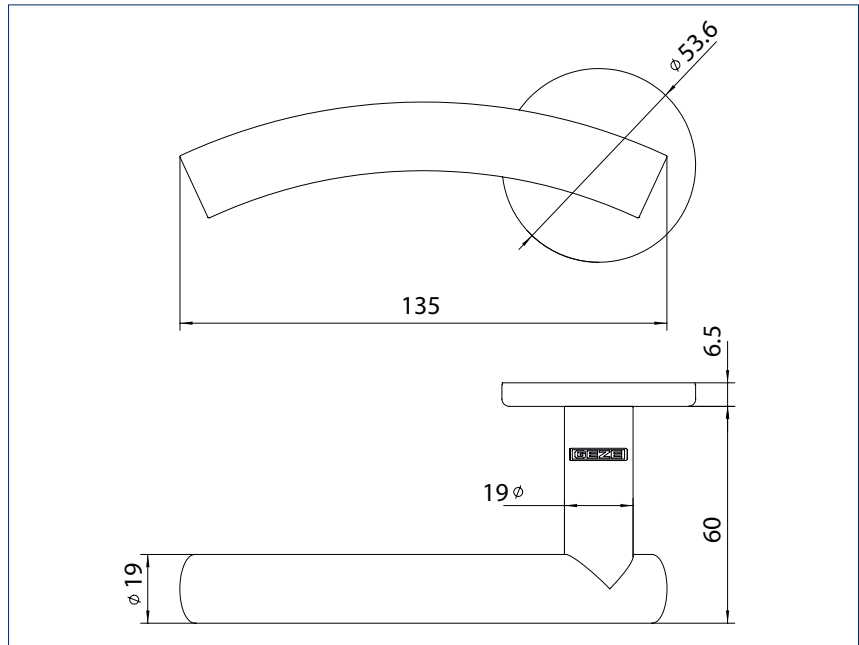
**GEZE handle LH 103 round**



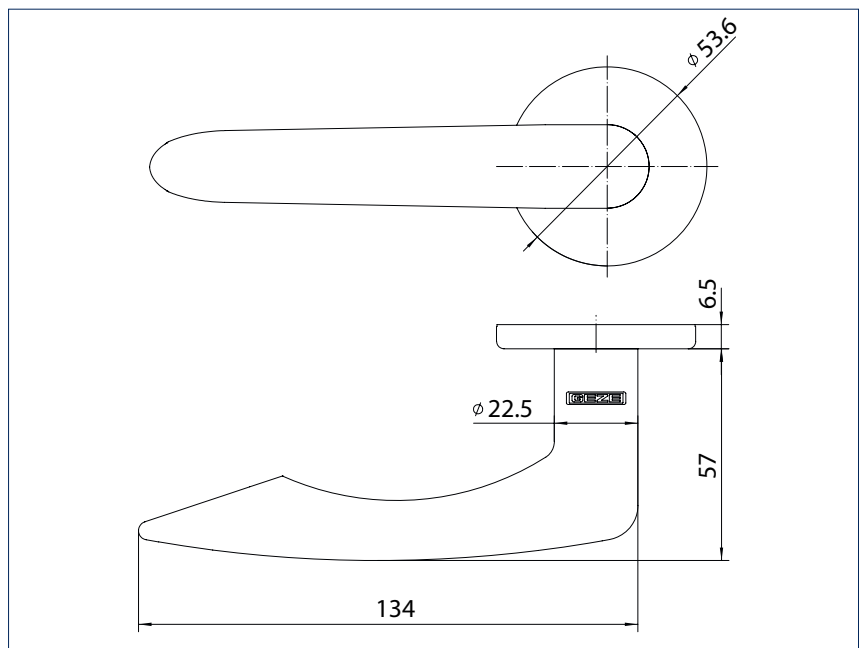
**GEZE handle LH 103 oval**



**GEZE handle LH 104 round**



**GEZE handle LH 105 round**

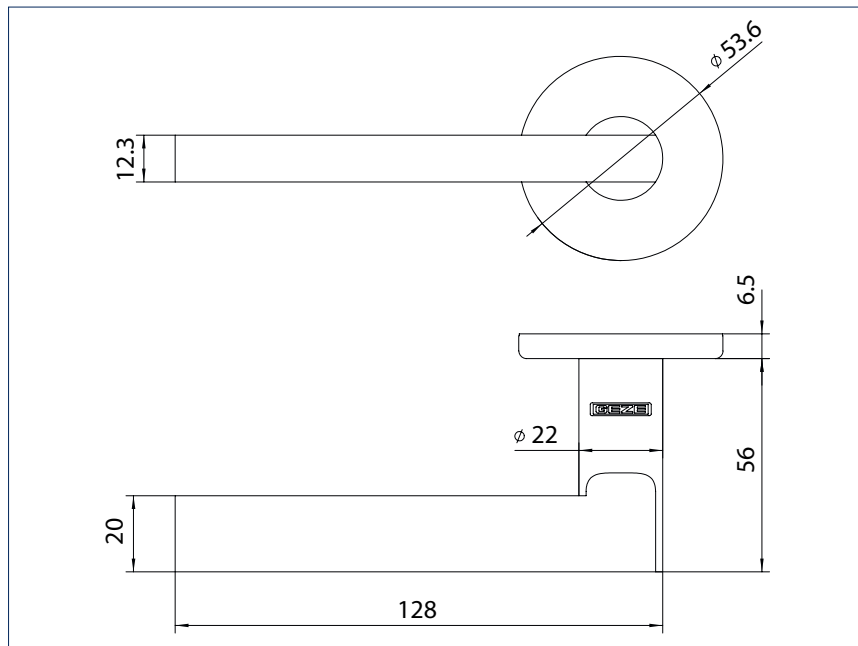


**Order information**

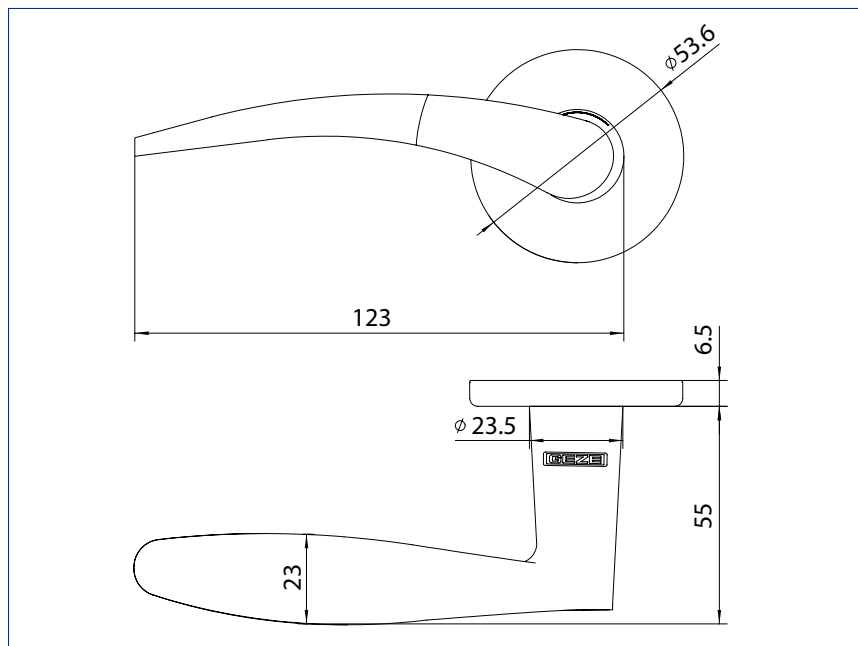
Description	Surface	ID no.
GEZE handle LH 101 round Stainless steel 304 tubular lever handle L-shape with round rose (Set) with spindle, escutcheon (round) for euro profile cylinder and mounting accessories	Brushed stainless steel	168506
GEZE handle LH 101 oval Stainless steel 304 tubular lever handle L-shape with oval rose (Set) with spindle, escutcheon (oval) for euro profile cylinder and mounting accessories	Brushed stainless steel	168509
GEZE handle LH 102 round Stainless steel 304 tubular lever handle rounded L-shape with round rose (Set) with spindle, escutcheon (round) for euro profile cylinder and mounting accessories	Brushed stainless steel	168507
GEZE handle LH 102 oval Stainless steel 304 tubular lever handle rounded L-shape with oval rose (Set) with spindle, escutcheon (oval) for euro profile cylinder and mounting accessories	Brushed stainless steel	168510
GEZE handle LH 103 round Stainless steel 304 tubular lever handle U-shape with round rose (Set) with spindle, escutcheon (round) for euro profile cylinder and mounting accessories	Brushed stainless steel	168508
GEZE handle LH 103 oval Stainless steel 304 tubular lever handle U-shape with oval rose (Set) with spindle, escutcheon (oval) for euro profile cylinder and mounting accessories	Brushed stainless steel	168534
GEZE handle LH 104 round Stainless steel 304 tubular design lever handle with round rose (Set) with spindle, escutcheon (round) for euro profile cylinder and mounting accessories	Brushed stainless steel	168535
GEZE handle LH 105 round Stainless steel 304 tubular design lever handle with round rose (Set) with spindle, escutcheon (round) for euro profile cylinder and mounting accessories	Brushed stainless steel	168537
<b>Accessories</b>		
GEZE handle LH 100 Escutcheon oval Prepared for euro profile cylinders (Set) with mounting accessories	Brushed stainless steel	168541
GEZE handle LH 100 Escutcheon round Prepared for euro profile cylinders (Set) with mounting accessories	Brushed stainless steel	168540
GEZE handle WC Escutcheon Stainless steel 304 toilet indicator escutcheon (Set) with mounting accessories, without lever handle	Brushed stainless steel	168552
GEZE handle spindle 120 mm Spindle 8x8 mm for lever handle (length=120 mm)		168554
GEZE handle split spindle 2x60 mm Split spindle 8x8 mm for lever handle (length=2x60 mm)		168553

GEZE solid lever handles

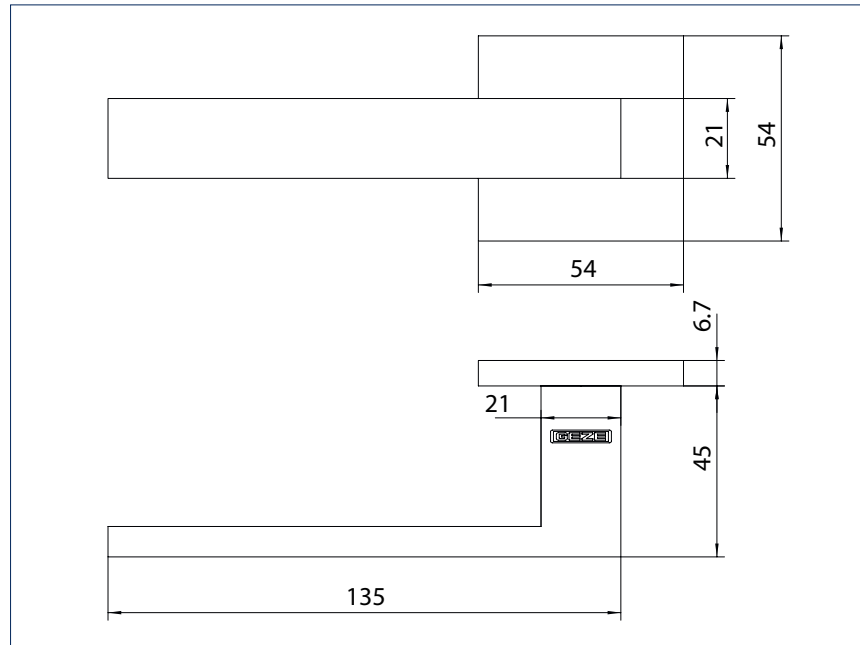
GEZE handle LH 301 round



GEZE handle LH 302 round



**GEZE handle LH 303 square**



**Order information**

Description	Surface	ID no.
GEZE handle LH 301 round Stainless steel 304 solid design lever handle with round rose (Set) with spindle, escutcheon (round) for euro profile cylinder and mounting accessories	Brushed stainless steel	168536
GEZE handle LH 302 round Stainless steel 304 solid design lever handle with round rose (Set) with spindle, escutcheon (round) for euro profile cylinder and mounting accessories	Brushed stainless steel	168538
GEZE handle LH 303 square Stainless steel 304 solid design lever handle with square rose (Set) with spindle, escutcheon (square type) for euro profile cylinder and mounting accessories	Brushed stainless steel	168539
<b>Accessories</b>		
GEZE handle LH 100 Escutcheon oval Prepared for euro profile cylinders (Set) with mounting accessories	Brushed stainless steel	168541
GEZE handle LH 100 Escutcheon round Prepared for euro profile cylinders (Set) with mounting accessories	Brushed stainless steel	168540
GEZE handle WC Escutcheon Stainless steel 304 toilet indicator escutcheon (Set) with mounting accessories, without lever handle	Brushed stainless steel	168552
GEZE handle spindle 120 mm Spindle 8x8 mm for lever handle (length=120 mm)		168554
GEZE handle split spindle 2x60 mm Split spindle 8x8 mm for lever handle (length=2x60 mm)		168553

## GEZE butt hinges

### GEZE butt hinges for wooden and metal door application

GEZE hinges for metal and wooden doors are available with different characteristics for various applications that differ in geometrical fixing arrangement and the number of ball bearings. The main hinge versions have been tested and approved under the requirements for fire-rating, endurance and performance in accordance with EN 1935 and suit for fire resistant doors. According to classification their maximum leaf weight is 120 kg. All GEZE hinges are made of stainless steel 304 with vertical brushed satin finish.

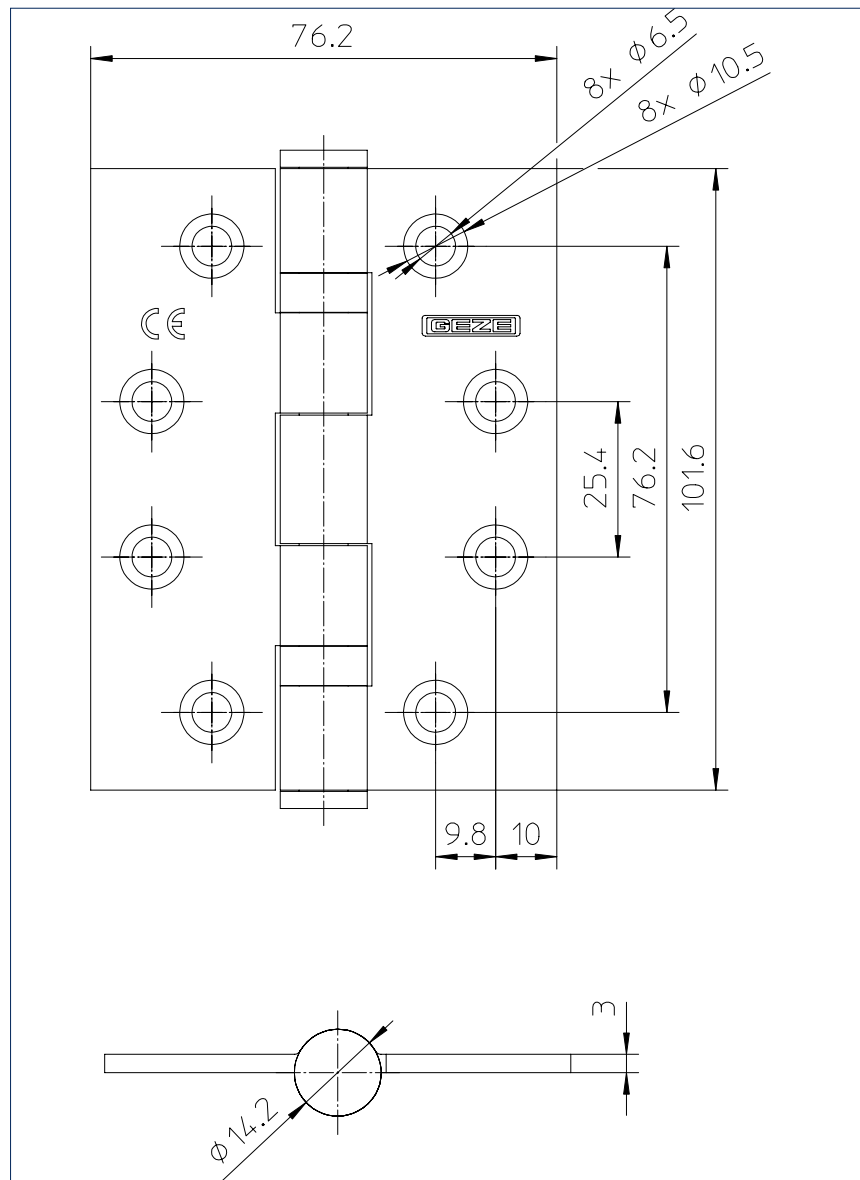
#### Area of application

- For metal and wooden doors
- Maximum door weight 120 kg
- For fire resistance doors

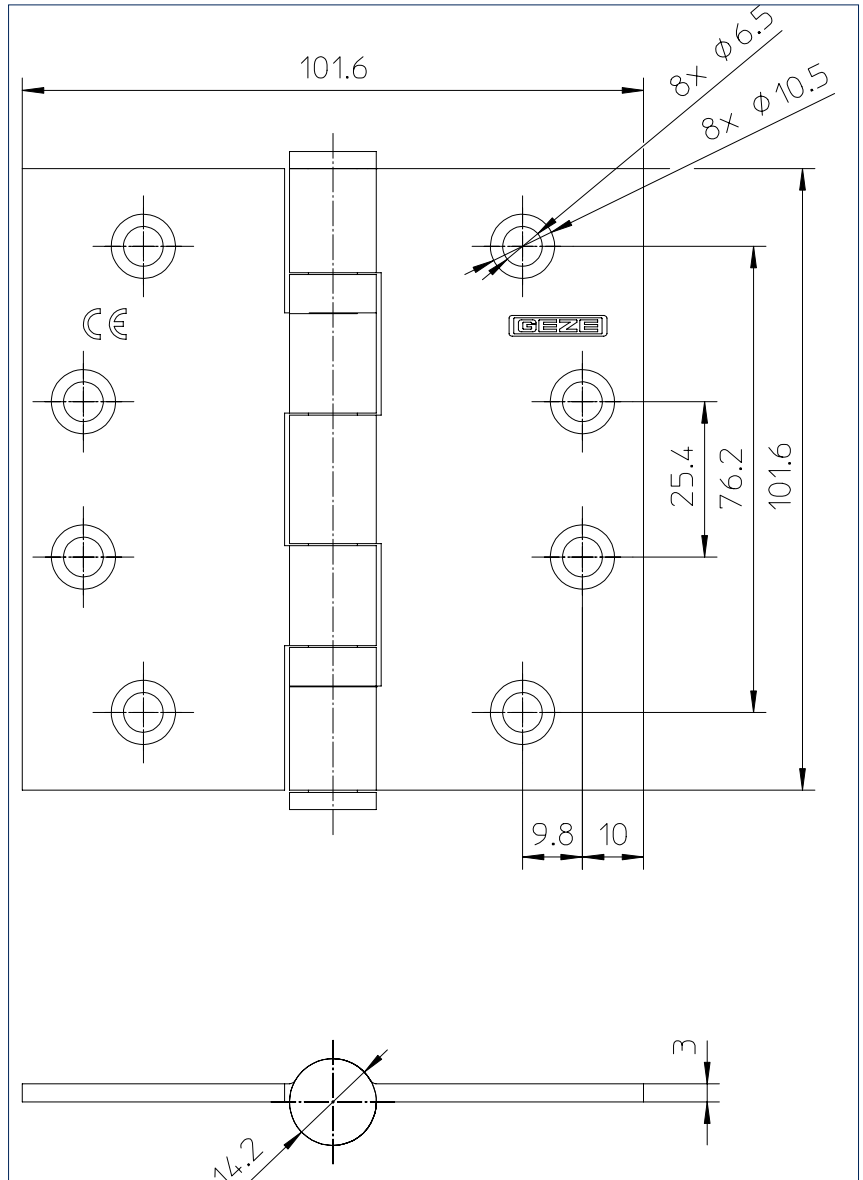




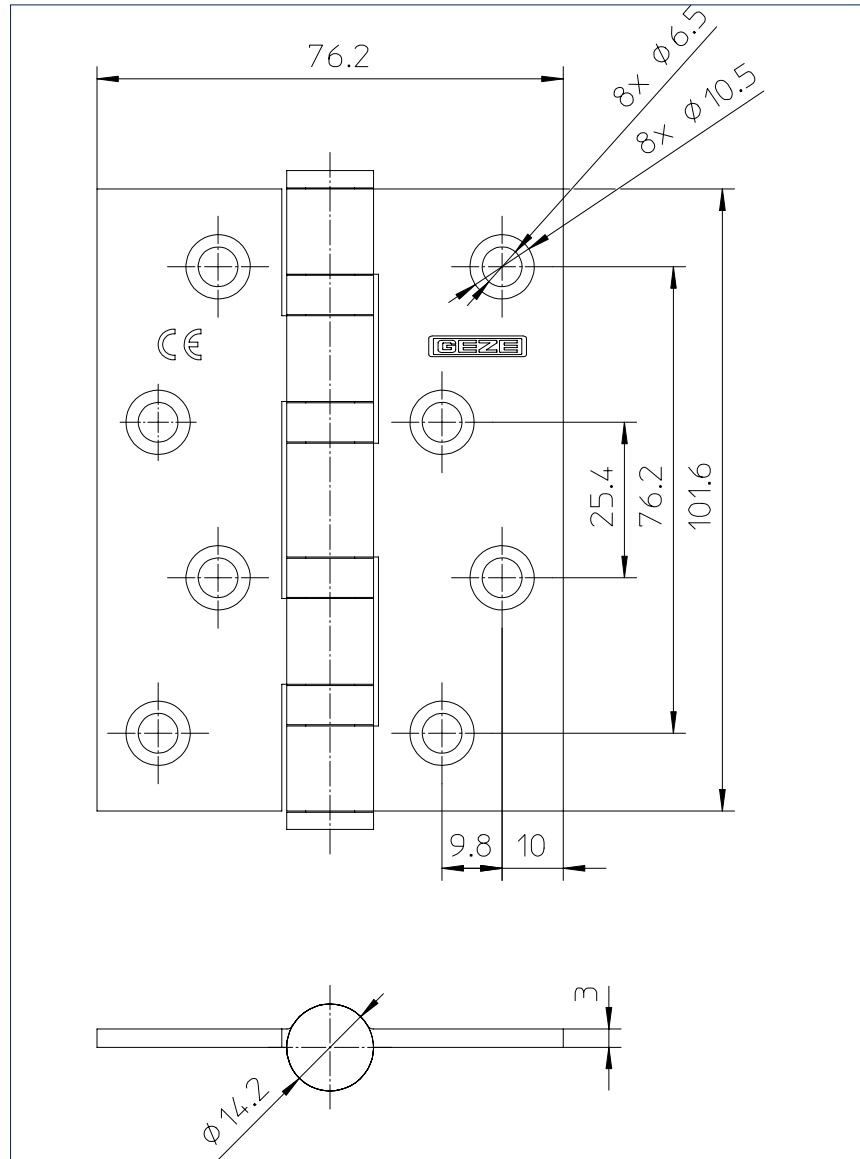
GEZE hinge BHC 4"x3"x3 mm



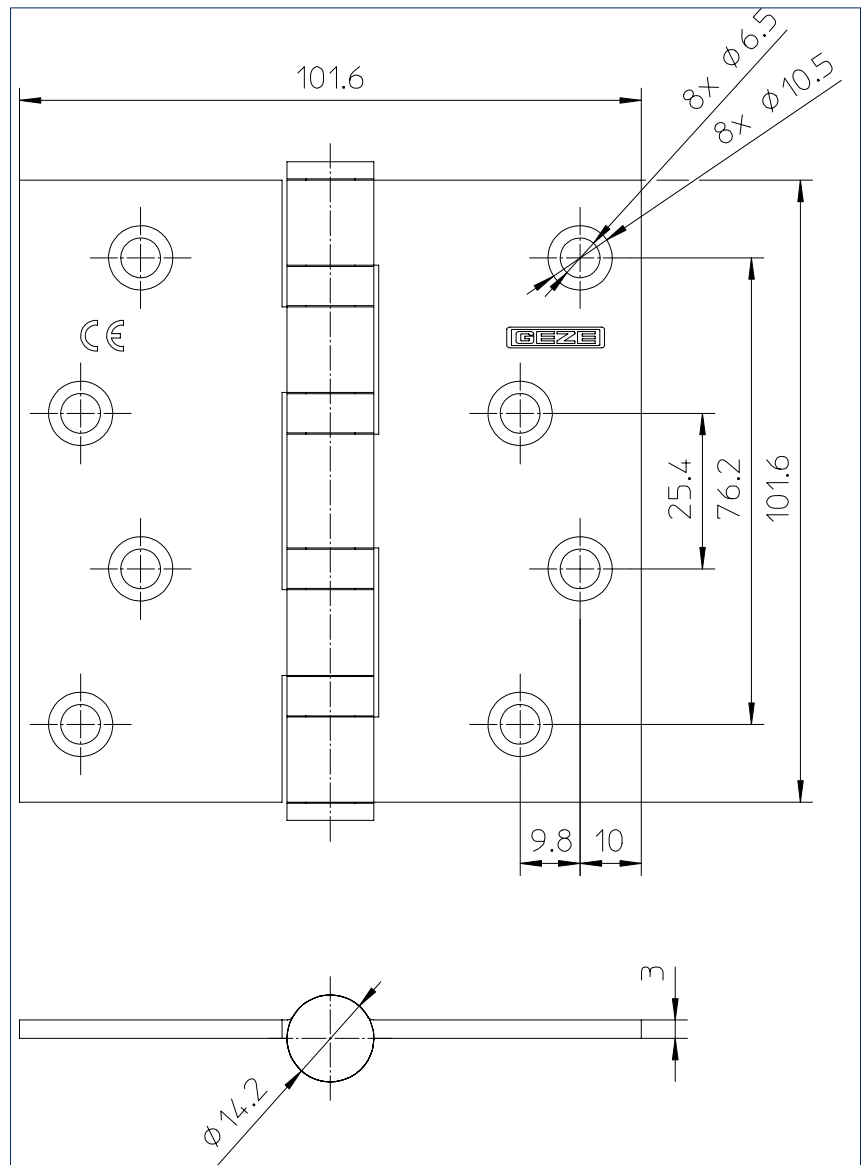
**GEZE hinge BHC 4"x4"x3 mm**



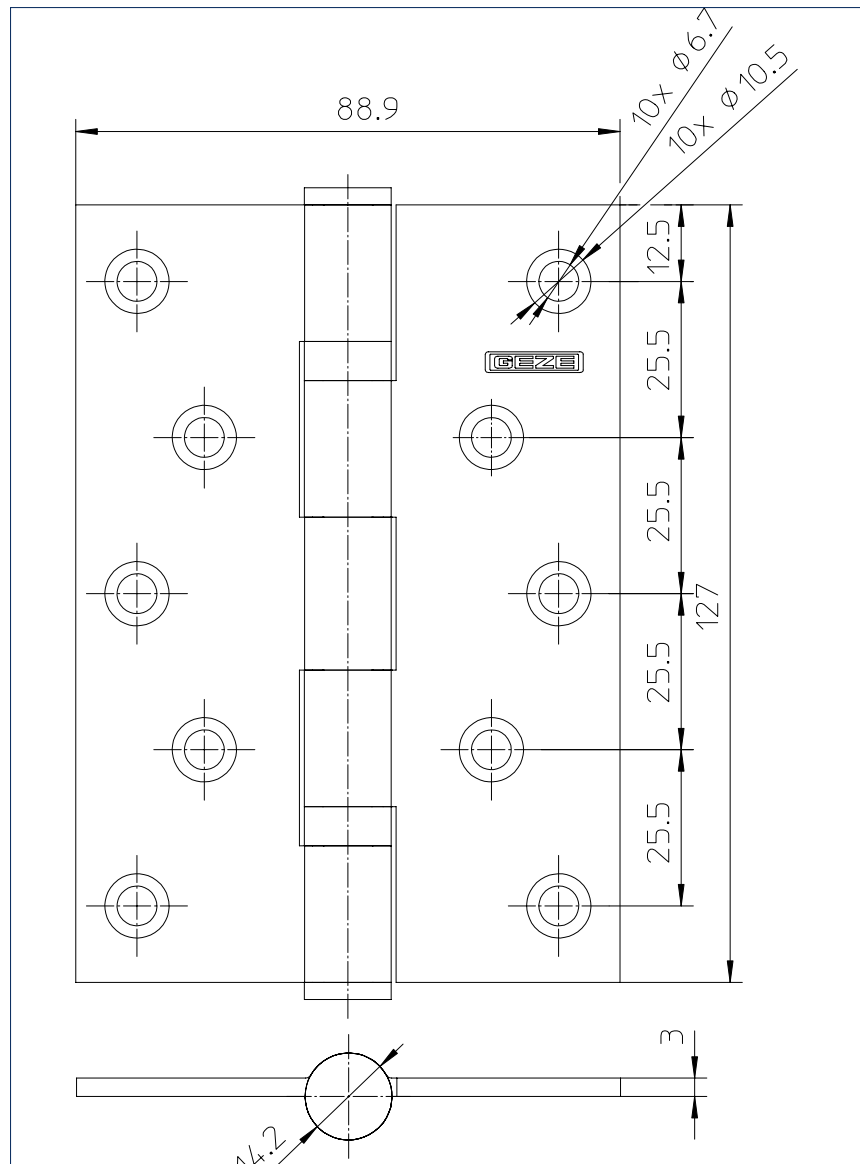
GEZE hinge BHZ 4"x3"x3mm



**GEZE hinge BHZ 4"x4"x3mm**



**GEZE hinge BHZ 5"x3,5"x3mm**



**Order information**

Description	Quantity ball bearings	Surface	ID no.
GEZE hinge BHC 4"x3"x3 mm Stainless steel 304 butt hinge, 4"x3"x3 mm, C type (Pair) with mounting accessories	2	Brushed stainless steel	168555
GEZE hinge BHC 4"x4"x3 mm Stainless steel 304 butt hinge, 4"x4"x3 mm, C type (Pair) with mounting accessories	2	Brushed stainless steel	168556
GEZE hinge BHZ 4"x3"x3 mm Stainless steel 304 butt hinge, 4"x3"x3 mm, Z type (Pair) with mounting accessories	4	Brushed stainless steel	181376
GEZE hinge BHZ 4"x4"x3 mm Stainless steel 304 butt hinge, 4"x4"x3 mm, Z type (Pair) with mounting accessories	4	Brushed stainless steel	181377
GEZE hinge BHZ 5"x3,5"x3 mm Stainless steel 304 butt hinge, 5"x3,5"x3 mm, Z type (Pair) with mounting accessories	2	Brushed stainless steel	168557

## GEZE panic hardware

### Panic hardware for doors on escape routes

GEZE panic exit devices in accordance with EN 1125 are intended to enable safe and quick escape through a doorway. Touch bars activated by a horizontal bar allow safe escape even with minimum effort and without prior knowledge of the panic exit device. GEZE Panic TB 321 is designed for single leaf applications. Thanks to its standard anti-thrust latch which cannot be pushed back and only be withdrawn by use of the touch bar or outside access device, this product adds security to your door on escape routes. Combined with GEZE Panic TB 322 this system is suitable for double leaf applications with a total door width up to 2640 mm. With the maximum of 200.000 tested cycles and 240 h of corrosion resistance the panic exit devices meet the highest requirements in terms of durability and safety even under harsh environmental conditions.

#### Area of application

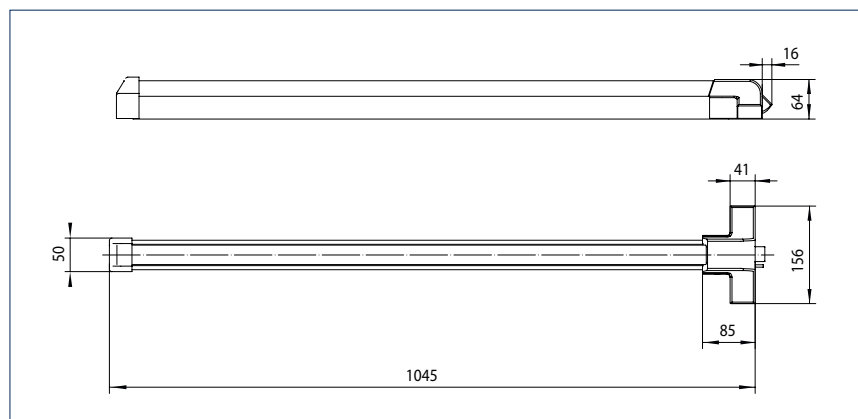
- Single and double leaf doors on escape routes
- For doors up to 2440 mm door height and 1320 mm door width
- Suitable for left and right-hung doors (non-handed)
- Panic trim access devices to fit the other panic hardware components



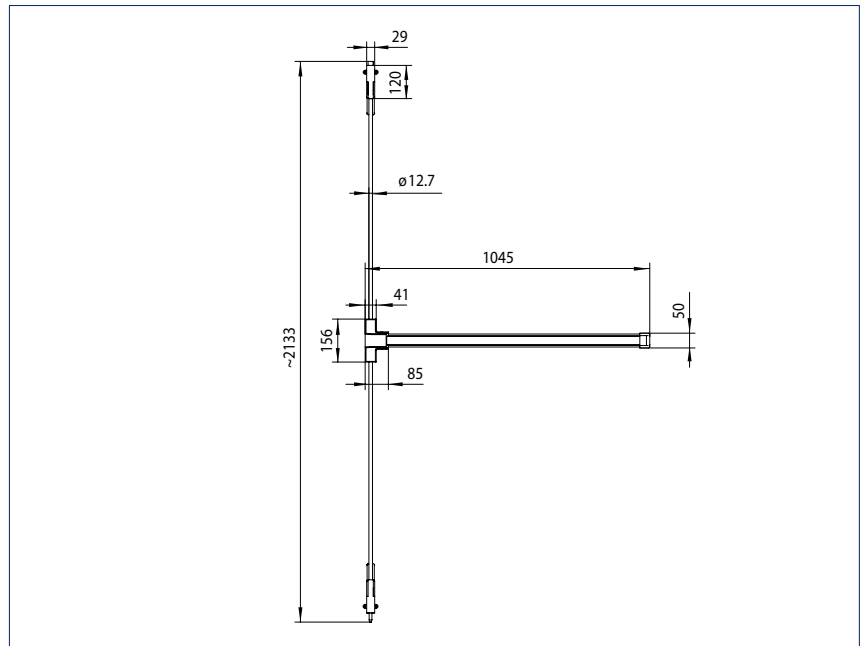
**Technical data**

Product features	GEZE Panic TB 321	GEZE Panic TB 322
Bar operation		Touch bar
Lock and latch type	Rim Latch	Vertical Bolt
Material (touch bar)	Stainless steel or casted steel	
Single door application	•	
Double door – active leaf	•	
Double door – passive leaf		•
Suitable for leaf width	650 mm to 1320 mm	
Suitable for leaf height	2440 mm	2133 mm (additional accessory for max. 2440 mm available)
Maximum leaf weight	200 kg	
Same version for DIN left and DIN right	yes, none handed	
Tested and certified to EN 1125:2008	•	
Classification key EN 1125:2008	3-7-6-B-1-4-2-2-B-A	3-7-6-B-1-4-2-2-B-C
Suitable for use on fire/smoke resisting door assemblies	•	
Tested durability	Grade 7 : 200 000 cycles	
Corrossion resistance	Grade 4: Very high resistance (240 hours)	

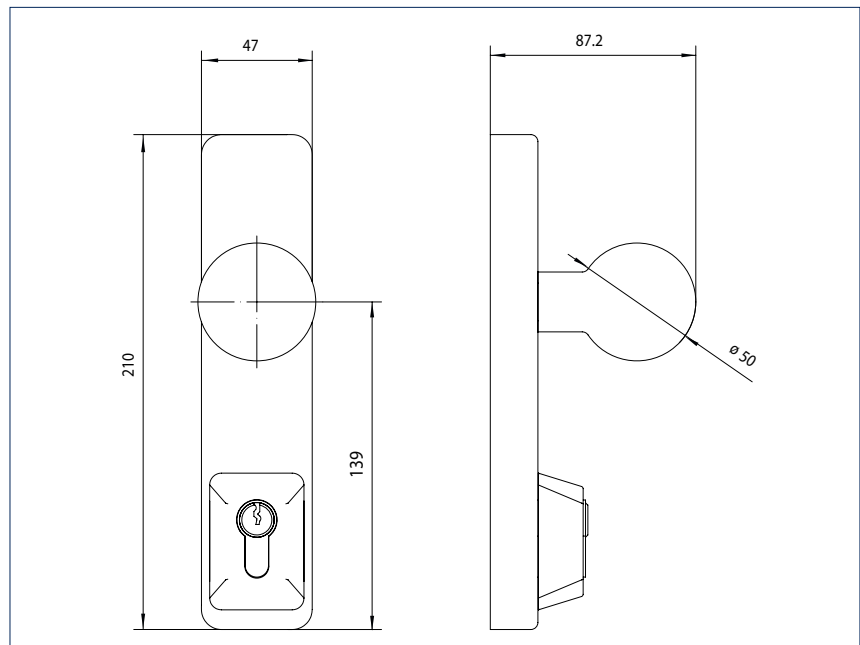
**GEZE Panic TB 321**



**GEZE Panic TB 322**

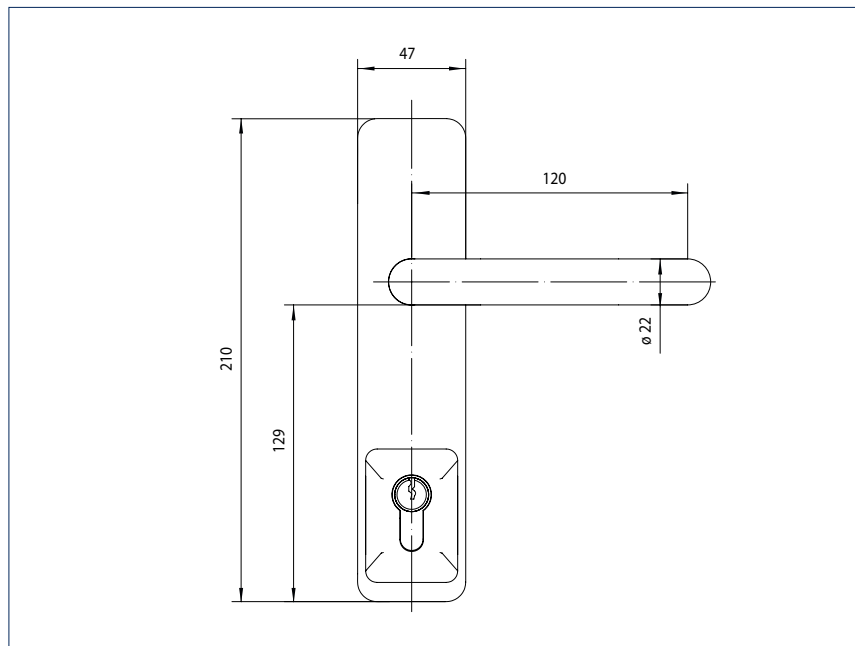


**GEZE Panic escutcheon knob trim**





**GEZE Panic escutcheon lever trim**



Description	Version	ID no.
GEZE Panic TB 321 Full length touch bar with rim and anti-thrust latch	Steel silver painted Stainless steel satin	169786 169787
GEZE Panic TB 322 Full length touch bar with vertical bolt	Steel silver painted Stainless steel satin	169788 169789
GEZE Panic escutcheon knob trim Knop operated outside access device (incl. profile cylinder and key)	Steel silver painted Stainless steel satin	169790 169791
GEZE Panic escutcheon lever trim Lever operated outside access device (incl. profile cylinder and key)	Steel silver painted Stainless steel satin	169792 169793
GEZE Panic pull handle SSS External pull handle with provision for rim cylinder, plate size 75 x 300 x 1.5 mm	Stainless steel satin	169795
GEZE Panic TB top rod 1260 mm Additional accessory for leaves up to 2440 mm height	Stainless steel satin	169794

GEZE hardware accessories

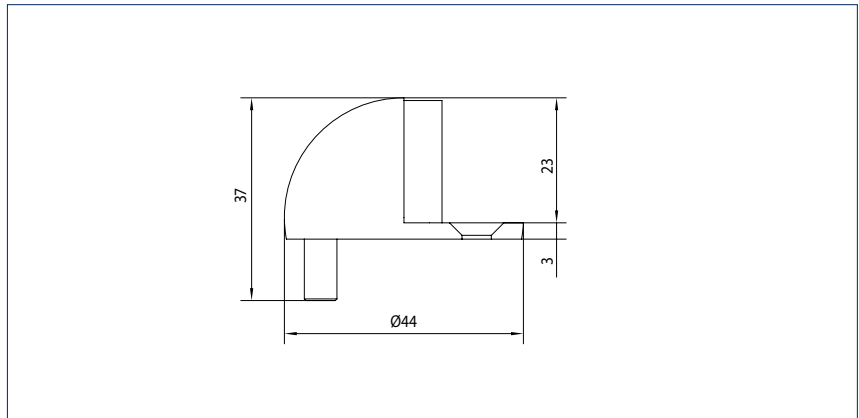
**Complementary accessory portfolio**

The GEZE accessory product category covers various variants of door stops, flush bolts, door seals, pull handles, flush pull handles, door viewers, and locking devices.

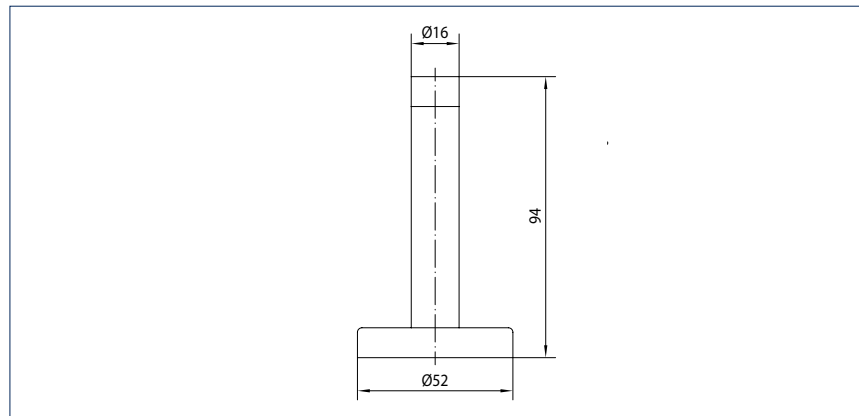


GEZE door stops and door holders

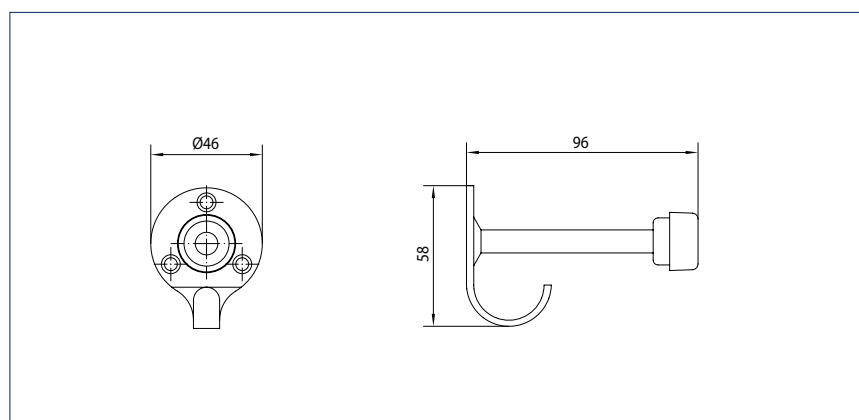
GEZE door stop 01



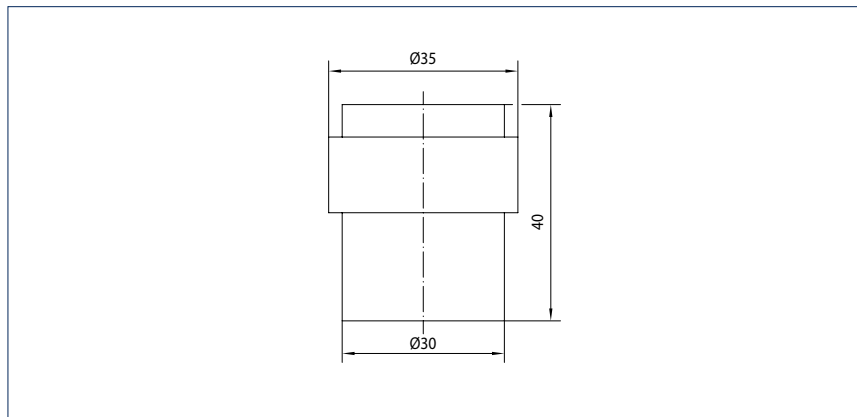
GEZE door stop 02



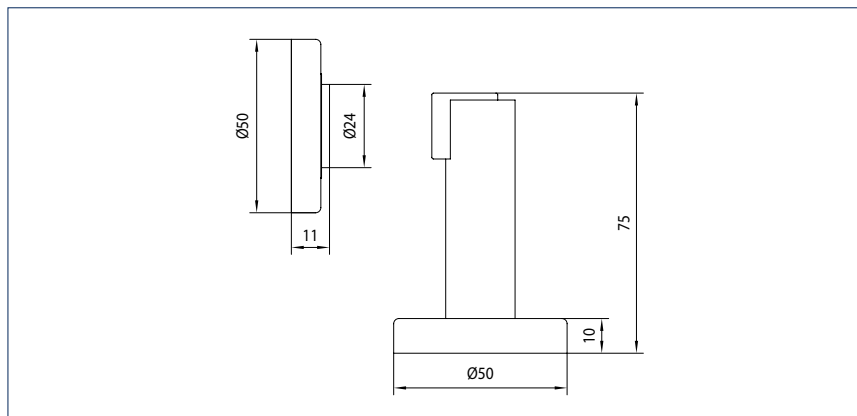
GEZE door stop 03



**GEZE door stop 04**



**GEZE magnetic door holder**

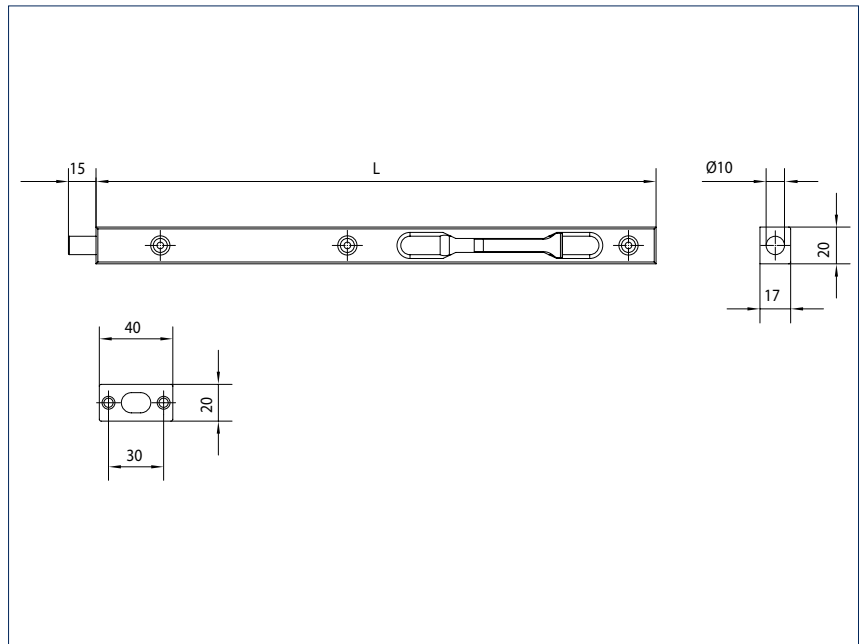


**Order information**

Description	Surface	ID no.
GEZE door stop 01 Half-moon door stop	Brushed stainless steel	169797
GEZE door stop 02 Wall door stop	Brushed stainless steel	169798
GEZE door stop 03 Wall door stop with coat hook	Brushed stainless steel	169799
GEZE door stop 04 Classic floor door stop	Brushed stainless steel	169800
GEZE magnetic door holder Floor or wall mounted magnetic door holder	Satin nickel plated	169812

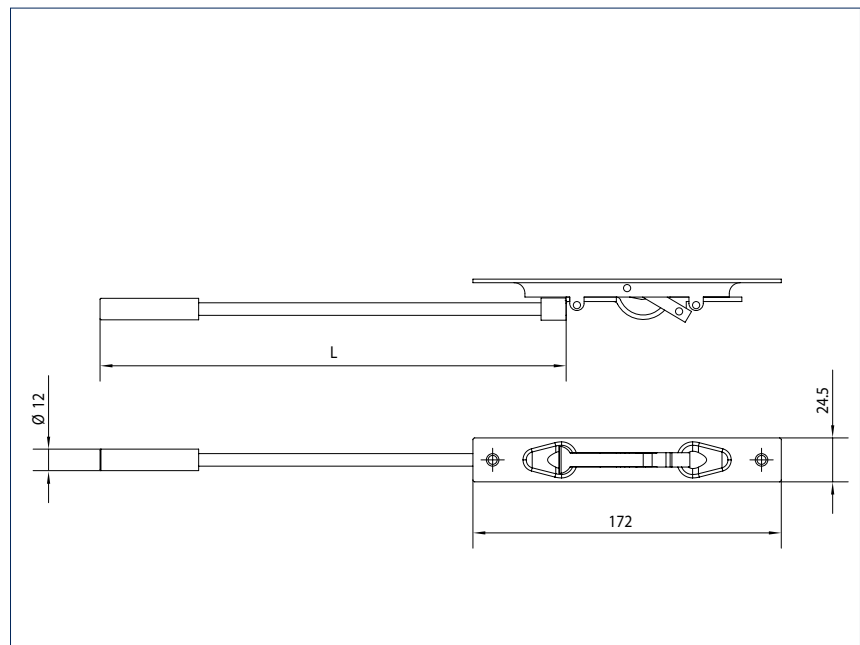
GEZE flush bolts

GEZE flush bolt wood



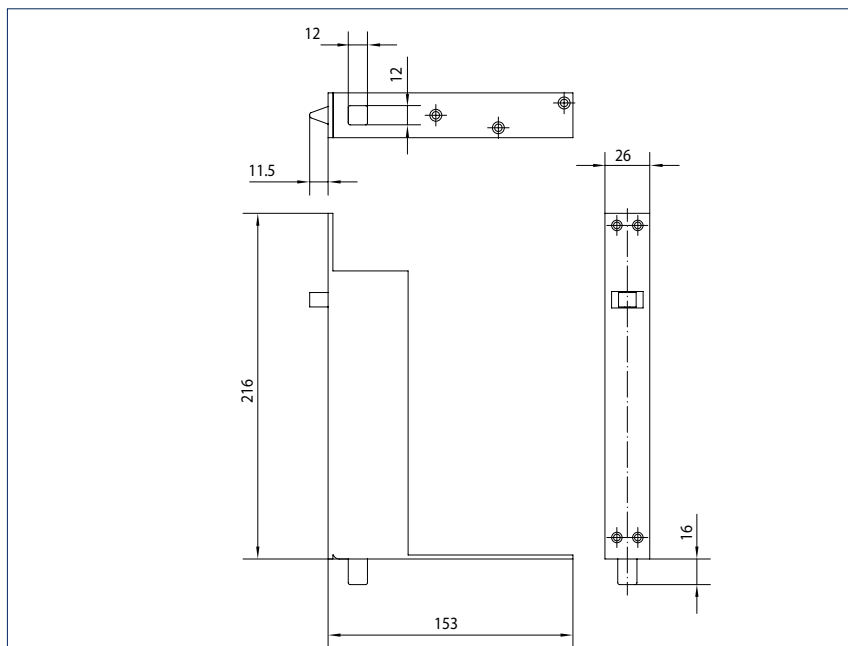
L = Length

GEZE flush bolt metal

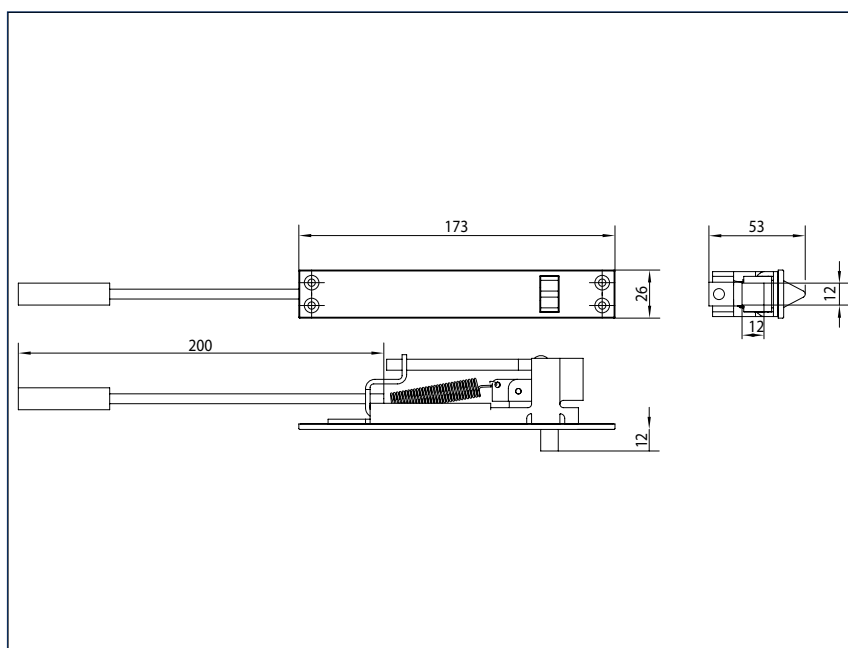


L = Length

**GEZE automatic flush bolt wood**



**GEZE automatic flush bolt metal**

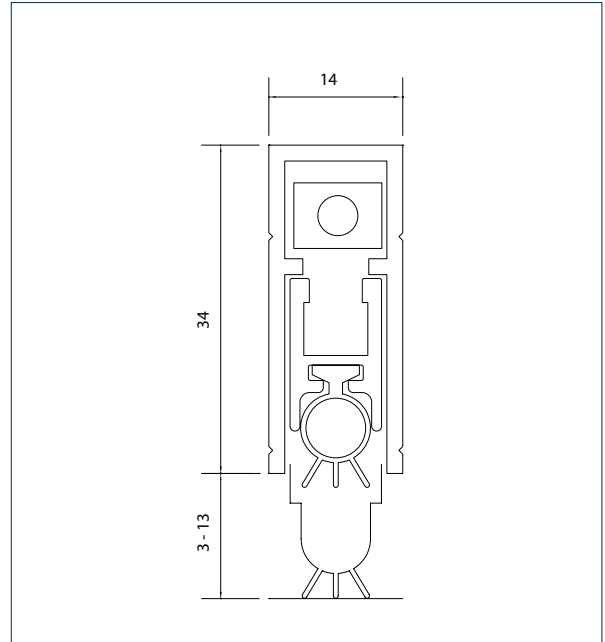


**Order information**

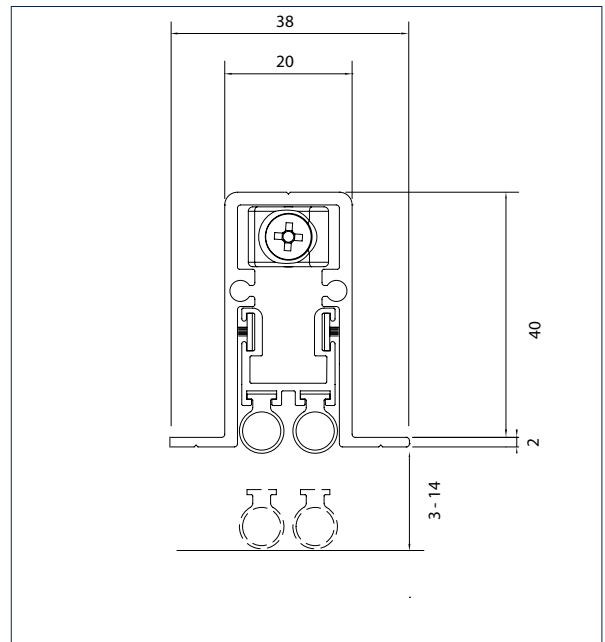
Description	Length L	Surface	ID no.
GEZE flush bolt wood	12"	Brushed stainless steel	169801
Flush bolt for wooden doors [pair]	10"	Brushed stainless steel	169802
GEZE flush bolt metal	12"	Brushed stainless steel	169803
Flush bolt for metal doors [pair]	10"	Brushed stainless steel	169804
GEZE automatic flush bolt wood		Brushed stainless steel	169806
Automatic flush bolt for wooden doors		Brushed stainless steel	169807
GEZE automatic flush bolt metal		Brushed stainless steel	169807
Automatic flush bolt for metal doors		Brushed stainless steel	169807

GEZE door seals

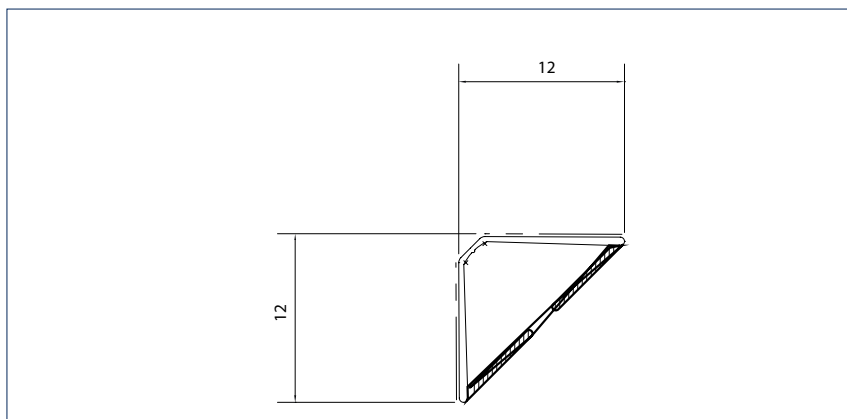
Door bottom seal RP8Si



Door bottom seal RP127Si



**Door frame seal RP120**



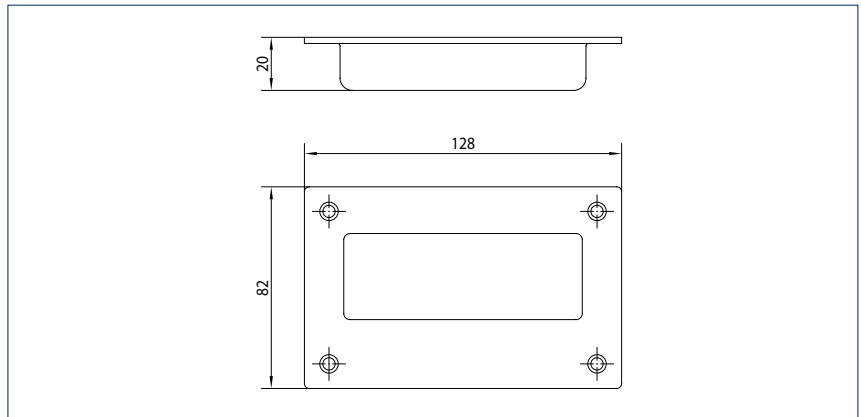
**Order information**

Description	Length L	Surface	ID no.
Door bottom seal RP8Si Concealed, adjustable automatic door bottom seal	920 mm	silver-coloured	169827
	1070 mm	silver-coloured	169828
	1220 mm	silver-coloured	169829
Door bottom seal RP127Si Concealed automatic door bottom seal	920 mm	silver-coloured	169830
	1070 mm	silver-coloured	169831
	1220 mm	silver-coloured	169832
Door frame seal RP120 PVC acoustic and smoke door frame seal	2100 mm	black	169834

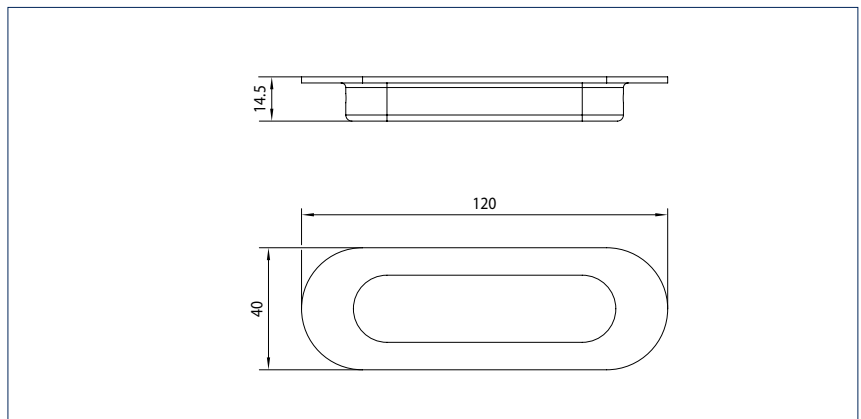


GEZE handles

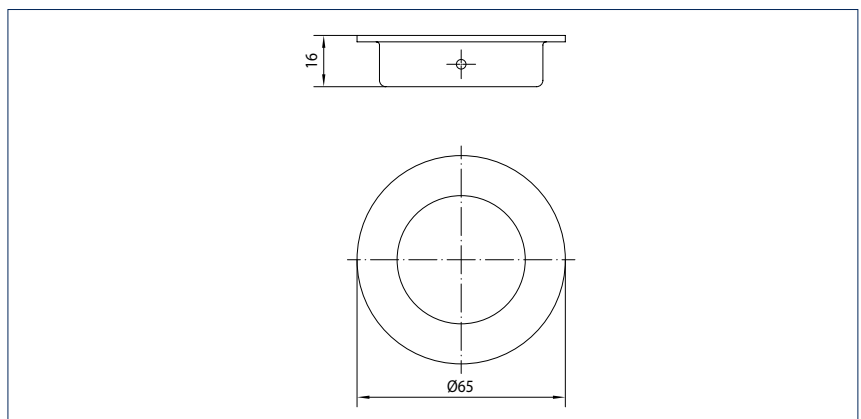
GEZE flush pull handle square



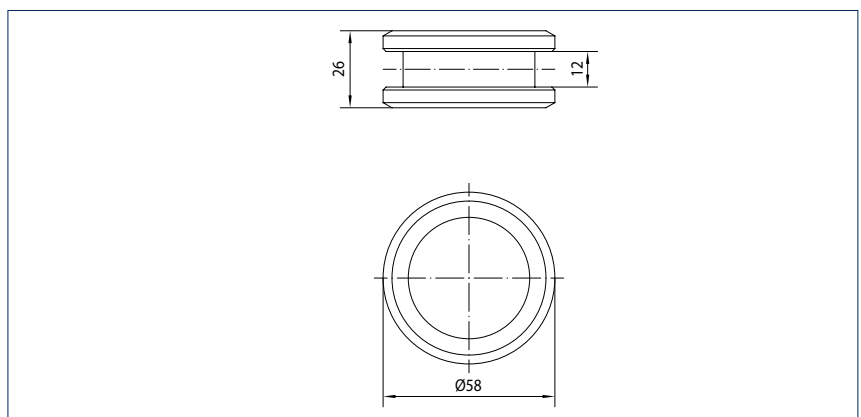
GEZE flush pull handle oval



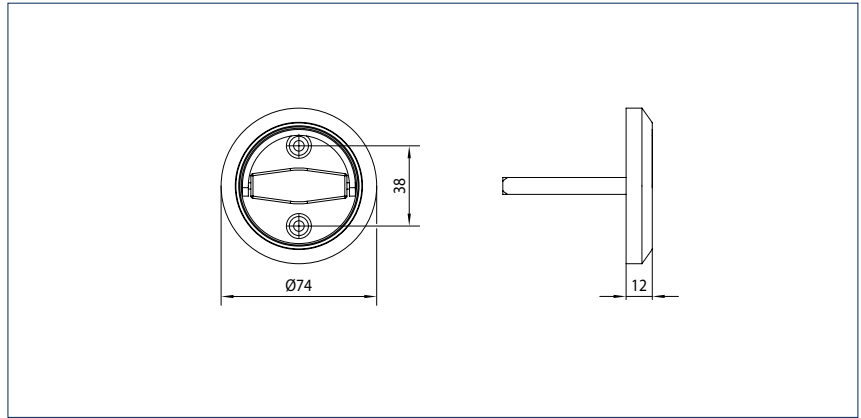
GEZE flush pull handle round



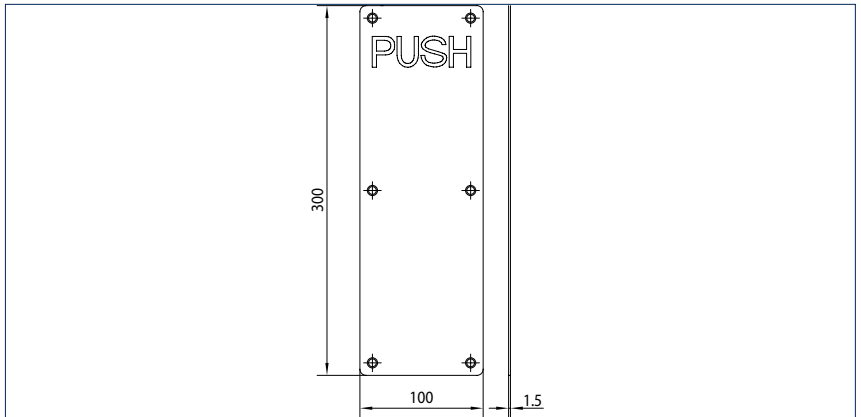
GEZE flush pull handle glass round



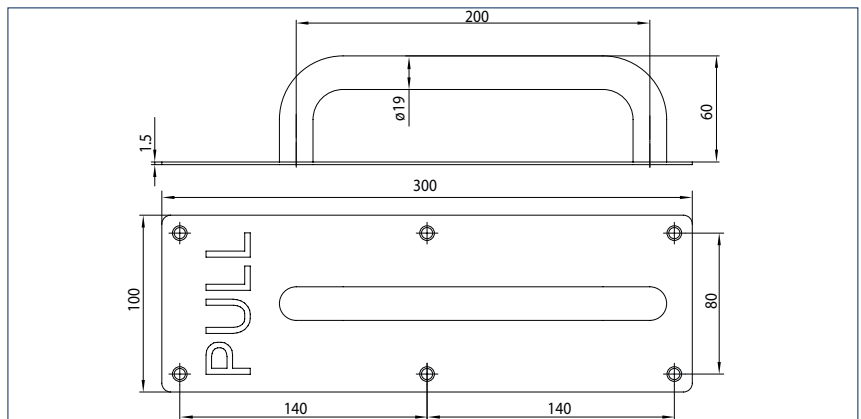
**GEZE recessed cup handle**



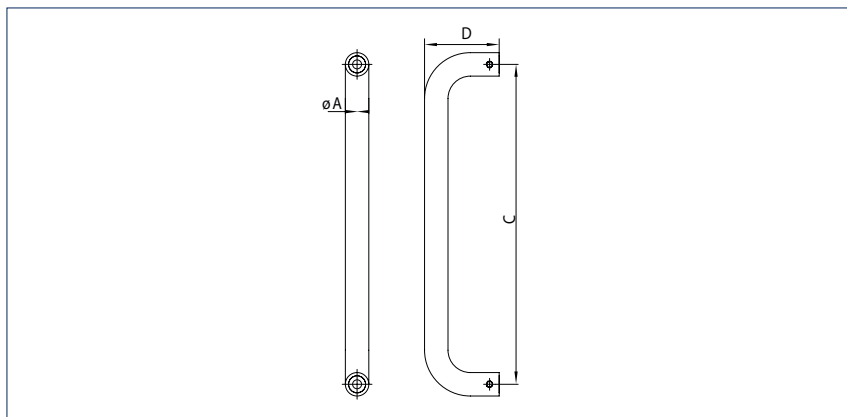
**GEZE push plate**



**GEZE pull plate with handle**



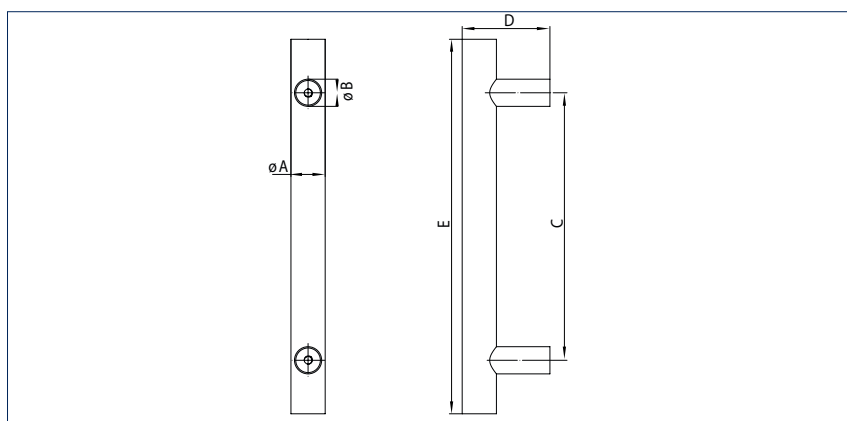
**GEZE pull handle D type**



A = Diameter A  
B = Diameter B  
C = Center to center fixing distance  
D = Projection distance  
E = Total length

ID	Type	Diameter A	Diameter B	C-C	Distance D	Length E
169817	D	19	-	150	60	-
169818	D	19	-	200	60	-
169819	D	22	-	300	60	-
169820	D	25	-	300	65	-

**GEZE pull handle H type**



A = Diameter A  
B = Diameter B  
C = Center to center fixing distance  
D = Projection distance  
E = Total length

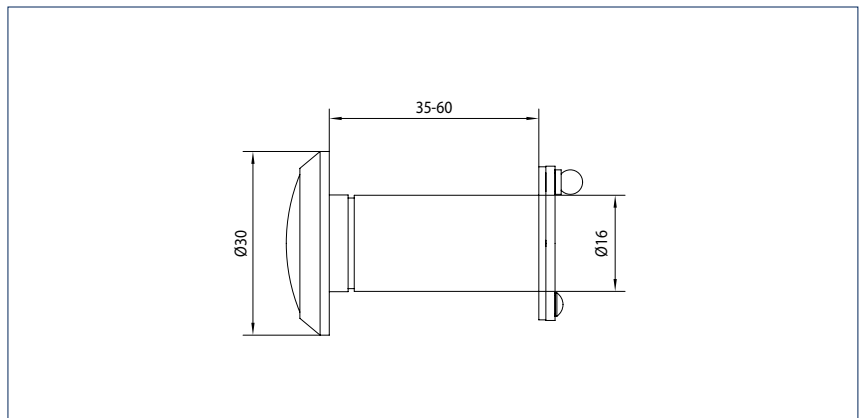
ID	Type	Diameter A	Diameter B	C-C	Distance D	Length E
169821	H	25	19	250	70	350
169822	H	25	19	300	70	400
169823	H	32	25	600	80	800
169824	H	32	25	1200	80	1400

## Order information

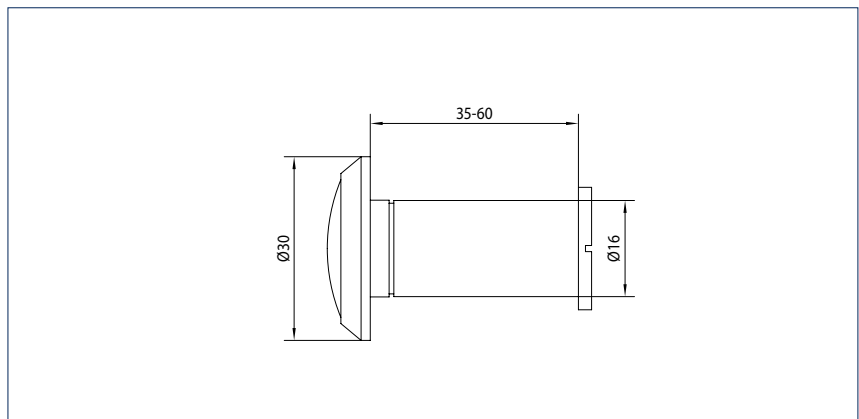
Description	Size	Surface	ID no.
GEZE flush pull handle square Flush-mounted pull handle, square type, size 128 x 82 mm		Brushed stainless steel	169808
GEZE flush pull handle oval Flush-mounted pull handle, oval type, size 40 x 120 mm		Brushed stainless steel	169809
GEZE flush pull handle round Flush-mounted pull handle, round type, size 65 mm diameter		Brushed stainless steel	169810
GEZE flush pull handle glass round for glass thicknesses 10 - 12 mm, size 58 mm outer diameter		Brushed stainless steel	169811
GEZE recessed cup handle		Brushed stainless steel	169815
GEZE pull handle D type for door thickness up to 50 mm and glass thicknesses 10 - 12 mm (set)	ø 19 mm x 150 mm C/C	Brushed stainless steel	169817
	ø 19 mm x 200 mm C/C	Brushed stainless steel	169818
	ø 22 mm x 300 mm C/C	Brushed stainless steel	169819
	ø 25 mm x 300 mm C/C	Brushed stainless steel	169820
GEZE pull handle H type for door thickness up to 50 mm and glass thicknesses 10 - 12 mm (set)	ø 25 mm x 250 mm C/C	Brushed stainless steel	169821
	ø 25 mm x 300 mm C/C	Brushed stainless steel	169822
	ø 32 mm x 600 mm C/C	Brushed stainless steel	169823
	ø 32 mm x 1200 mm C/C	Brushed stainless steel	169824
GEZE push plate Engraved push plate "PUSH", size 300 x 100 mm		Brushed stainless steel	169816
GEZE pull plate with handle Engraved pull plate "PULL", size 300 x 100 mm with pull handle 19 mm diameter		Brushed stainless steel	169837

GEZE door viewers

GEZE door viewer with cover



GEZE door viewer

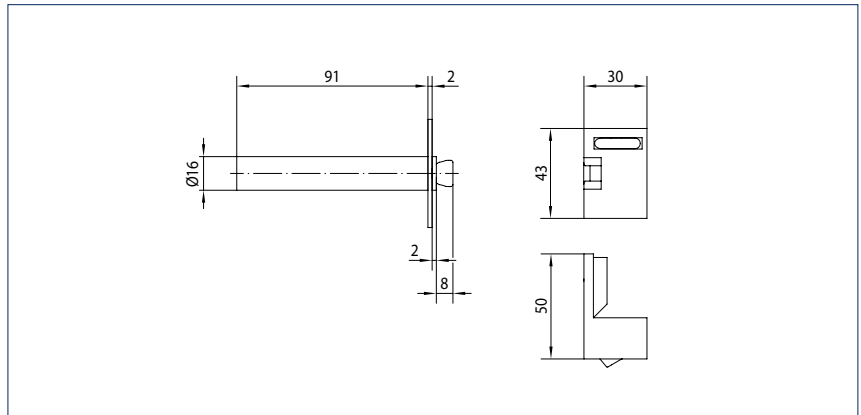


Order information

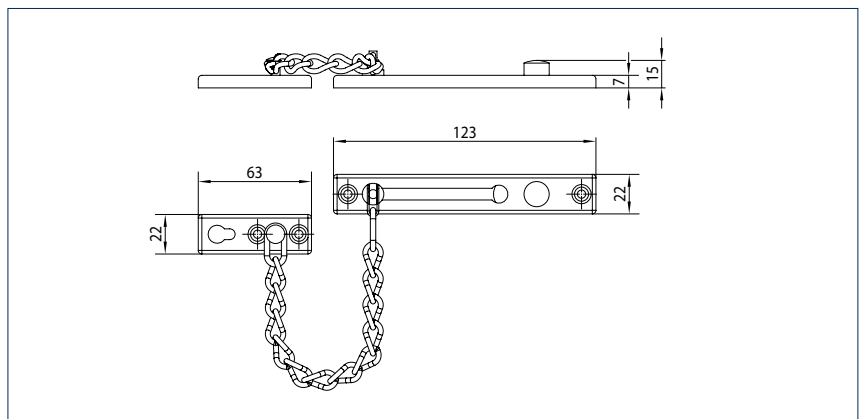
Description	Surface	ID no.
GEZE door viewer with cover for door thickness of 35 - 60 mm	Satin nickel plated	169813
GEZE door viewer for door thickness of 35 - 60 mm	Satin nickel plated	169814

GEZE locking devices

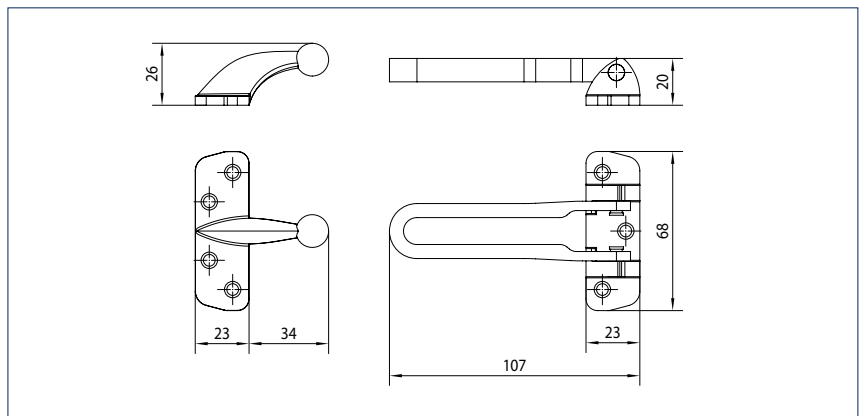
GEZE door chain concealed



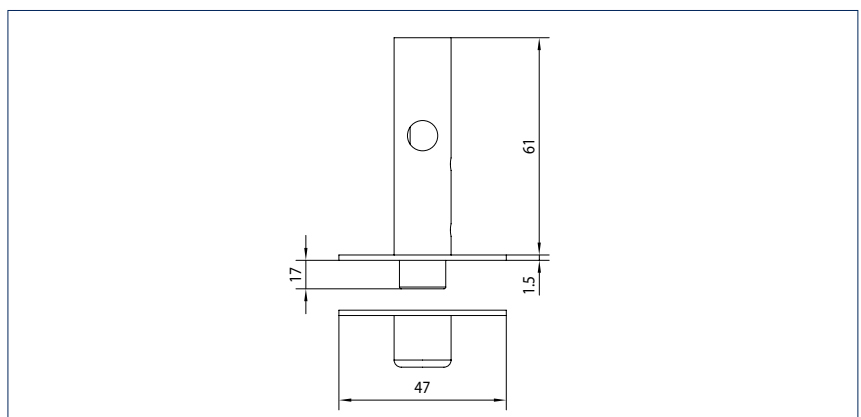
GEZE door chain exposed



GEZE door guard



GEZE deadbolt

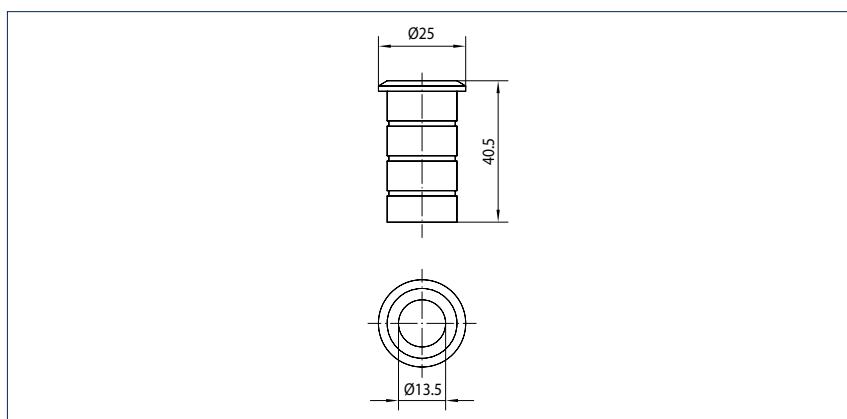


**Order information**

Description	Surface	ID no.
GEZE door chain concealed Concealed mounted security door chain	Satin nickel plated	169825
GEZE door chain exposed Surface-mounted security door chain	Brushed stainless steel	169826
GEZE door guard Surface-mounted security door guard	Brushed stainless steel	169835
GEZE deadbolt Concealed security deadbolt	Brushed stainless steel	169836

Additional accessories

**GEZE dust proof socket**



**Order information**

Description	Surface	ID no.
GEZE dust proof socket Floor sleeve with dust protection function	Brushed stainless steel	169805



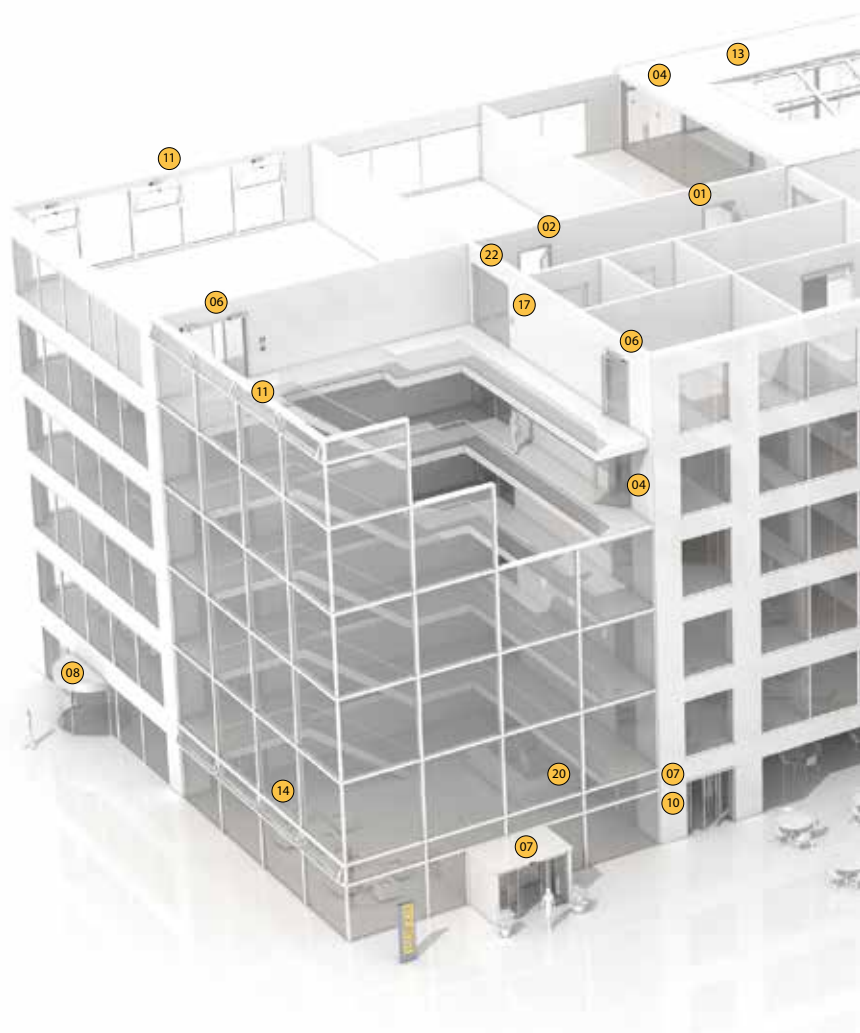




# POTENTIAL APPLICATIONS OF GEZE PRODUCTS

You will find more product information in the relevant brochures.

<b>Door technology</b>	
01	Overhead door closers
02	Hold-open systems
03	Integrated door closers
04	Floor springs and all-glass fittings
05	Sliding fitting systems and linear guides
<b>Automatic door systems</b>	
06	Swing doors
07	Sliding doors
08	Curved sliding doors
09	Revolving doors
10	Actuation devices and sensors
<b>Smoke and heat extraction and window technology</b>	
11	Fanlight opening systems
12	Electric opening and locking systems
13	Electrical spindle and linear drives
14	Electric chain drives
15	Smoke and heat extraction systems
<b>Safety technology</b>	
16	Emergency exit systems
17	Access control systems
18	Panic locks
19	Electric strikes
20	Building management systems
<b>Glass systems</b>	
21	Manual sliding wall systems (MSW)
22	Integrated all-glass systems (IGG)



# POTENTIAL APPLICATIONS OF GEZE PRODUCTS




---

## Door technology

---

The functionality, superior performance and reliability of GEZE door closers are impressive. A common design across the range, the ability to use them on all common door leaf widths and weights, and the fact that they can be individually adjusted makes their selection simple. They are continually being improved and enhanced with up-to-date features. For example, the requirements of fire protection and accessibility are fulfilled with a door closer system.

---

## Automatic door systems

---

GEZE automatic door systems open up a huge variety of options in door design. The latest, innovative high-performance drive technology, safety, ease of accessibility and first class universal drive design set them apart. GEZE offers complete solutions for individual requirements.

---

## Smoke and heat extraction and window technology

---

GEZE smoke and heat extraction systems and ventilation technology provide complete systems solutions combining the many requirements of different types of windows. We supply a full range from energy efficient drive systems to natural ventilation and complete solutions for supplying and extracting air, also as certified SHEVs.

---

## Safety technology

---

GEZE safety technology sets the standards where preventative fire protection, access control and anti-theft security in emergency exits are concerned. For each of these objectives GEZE offers tailored solutions, which combine the individual safety requirements in one intelligent system and close doors and windows in case of danger in a coordinated manner.

---

## Building systems

---

In GEZE's Building Management System GEZE door, window and safety products can be integrated in to the security and control systems of the building. A central control and visualisation system monitors various automation components in the building and offers security through many different networking capabilities.

---

## Glass systems

---

GEZE glass systems stand for open and transparent interior design. They can either blend discreetly into the architecture of the building or stand out as an accentuated feature. GEZE offers a wide variety of technologies for functional, reliable and aesthetic sliding wall or sliding door systems providing security with lots of design scope.

**GEZE GmbH**  
**P.O. Box 1363**  
**71226 Leonberg**  
**Germany**

**GEZE GmbH**  
**Reinhold-Vöster-Straße 21-29**  
**71229 Leonberg**  
**Germany**  
**Tel. +49 7152 203 0**  
**Fax +49 7152 203 310**  
**www.geze.com**

**Germany**  
**GEZE GmbH**  
 Niederlassung Süd-West  
 Breitwiesenstraße 8  
 71229 Leonberg  
 Tel. +49 7152 203 594  
 Fax +49 7152 203 438  
 leonberg.de@geze.com

**GEZE GmbH**  
 Niederlassung Süd-Ost  
 Parking 17  
 85748 Garching bei München  
 Tel. +49 7152 203 6440  
 Fax +49 7152 203 77050  
 muenchen.de@geze.com

**GEZE GmbH**  
 Niederlassung Ost  
 Albert-Einstein-Ring 5  
 14532 Kleinmachnow bei Berlin  
 Tel. +49 7152 203 6840  
 Fax +49 7152 203 76849  
 berlin.de@geze.com

**GEZE GmbH**  
 Niederlassung Mitte/Luxemburg  
 Siemensstraße 14  
 63263 Neu-Isenburg  
 Tel. +49 7152 203 6888  
 Fax +49 7152 203 6891  
 frankfurt.de@geze.com

**GEZE GmbH**  
 Niederlassung West  
 Heltorfer Straße 12  
 40472 Düsseldorf  
 Tel. +49 7152 203 6770  
 Fax +49 7152 203 76770  
 duesseldorf.de@geze.com

**GEZE GmbH**  
 Niederlassung Nord  
 Albert-Schweitzer-Ring 24-26 (3. OG)  
 22045 Hamburg  
 Tel. +49 7152 203 6600  
 Fax +49 7152 203 76608  
 hamburg.de@geze.com

**GEZE Service GmbH**  
 Niederlassung Süd-West  
 Reinhold-Vöster-Straße 25  
 71229 Leonberg  
 Tel. +49 1802 923392  
 Fax +49 7152 9233 359  
 service-leonberg.de@geze.com

**GEZE Service GmbH**  
 Niederlassung Süd  
 Parking 17  
 85748 Garching bei München  
 Tel. +49 1802 923392  
 Fax +49 7152 9233 859  
 service-muenchen.de@geze.com

**GEZE Service GmbH**  
 Niederlassung Mitte/Luxemburg  
 Siemensstraße 14  
 63263 Neu-Isenburg  
 Tel. +49 1802 923392  
 Fax +49 7152 9233 659  
 service-frankfurt.de@geze.com

**GEZE Service GmbH**  
 Niederlassung West  
 Heltorfer Straße 12  
 40472 Düsseldorf  
 Tel. +49 1802 923392  
 Fax +49 7152 9233 559  
 service-duesseldorf.de@geze.com

**GEZE Service GmbH**  
 Niederlassung Ost  
 Albert-Einstein-Ring 5  
 14532 Kleinmachnow bei Berlin  
 Tel. +49 1802 923392  
 Fax +49 7152 9233 759  
 service-berlin.de@geze.com

**GEZE Service GmbH**  
 Niederlassung Nord  
 Albert-Schweitzer-Ring 24-26 (3. OG)  
 22045 Hamburg  
 Tel. +49 1802 923392  
 Fax +49 7152 9233 459  
 service-hamburg.de@geze.com

**Austria**  
**GEZE Austria**  
 Wiener Bundesstrasse 85  
 A-5300 Hallwang  
 Tel: +43 6225 87180  
 Fax +43 6225 87180 299  
 austria.at@geze.com

**Baltic States –**  
**Lithuania / Latvia / Estonia**  
 Tel. +371 678960 35  
 baltic-states@geze.com

**Benelux**  
**GEZE Benelux B.V.**  
 Industrieterrein Kapelbeemd  
 Steenoven 36  
 5626 DK Eindhoven  
 Tel. +31 4026290 80  
 Fax +31 4026290 85  
 benelux.nl@geze.com

**Bulgaria**  
**GEZE Bulgaria - Trade**  
 Representative Office  
 Nickolay Haitov 34 str., fl. 1  
 1172 Sofia  
 Tel. +359 247043 73  
 Fax +359 247062 62  
 office-bulgaria@geze.com

**China**  
**GEZE Industries (Tianjin) Co., Ltd.**  
 Shuangchenzhong Road  
 Beichen Economic Development  
 Area (BEDA)  
 Tianjin 300400, P.R. China  
 Tel. +86 22 26973995  
 Fax +86 22 26972702  
 chinasales@geze.com.cn

**GEZE Industries (Tianjin) Co., Ltd.**  
 Branch Office Shanghai  
 Jia Little Exhibition Center  
 Room C 2-102  
 Shenzhuan Rd. 6000  
 201619 Shanghai, P.R. China  
 Tel. +86 21 52340960  
 Fax +86 21 64472007  
 chinasales@geze.com.cn

**GEZE Industries (Tianjin) Co., Ltd.**  
 Branch Office Guangzhou  
 Room 17 C 3  
 Everbright Bank Building, No.689  
 Tian He Bei Road  
 510630 Guangzhou, P.R. China  
 Tel. +86 20 38731842  
 Fax +86 20 38731834  
 chinasales@geze.com.cn

**GEZE Industries (Tianjin) Co., Ltd**  
 Branch Office Beijing  
 Room 04-05, 7th Floor  
 Red Sandalwood Plaza  
 No. 27 Jianguo Road  
 Chaoyang District  
 100024 Beijing, P.R.China  
 Tel. +86 10 85756009  
 Fax +86 10 85758079  
 chinasales@geze.com.cn

**France**  
**GEZE France S.A.R.L.**  
 ZAC de l'Orme Rond  
 RN 19  
 77170 Servon  
 Tel. +33 1 606260 70  
 Fax +33 1 606260 71  
 france.fr@geze.com

**Hungary**  
**GEZE Hungary Kft.**  
 Hungary-2051 Biatorbágy  
 Vendel Park  
 Huber u. 1.  
 Tel. +36 23532 735  
 Fax +36 23532 738  
 office-hungary@geze.com

**Iberia**  
**GEZE Iberia S.R.L.**  
 C/ Andorra 24  
 08830 Sant Boi de Llobregat  
 (Barcelona)  
 Tel. +34 902194 036  
 Fax +34 902194 035  
 info.es@geze.com

**India**  
**GEZE India Private Ltd.**  
 MF 2 & 3, Guindy Industrial Estate  
 Ekkattuthangal  
 Chennai 600 097  
 Tamilnadu  
 Tel. +91 44 406169 00  
 Fax +91 44 406169 01  
 office-india@geze.com

**Italy**  
**GEZE Italia S.r.l**  
 Sede di Vimercate  
 Via Fiorbellina 20  
 20871 Vimercate (MB)  
 Tel. +39 0399530401  
 Fax +39 039 9530459/419  
 italia.it@geze.com

Sede di Roma  
 Via Lucrezia Romana, 91  
 00178 Roma  
 Tel. +39 039 9530401  
 Fax +39 039 9530449  
 italia.it@geze.com

**Korea**  
**GEZE Korea Ltd.**  
 T4-716 Western Tower, 24 Jeong-  
 balsanro, Ilsangu Goyangsi,  
 Gyeonggido, 10403, South Korea  
 Tel. +82 31 814 6410  
 Fax +82 31 814 6410  
 info.kr@geze.com

**Poland**  
**GEZE Polska Sp. z o.o.**  
 ul. Marywilska 24  
 03-228 Warszawa  
 Tel. +48 224 404 440  
 Fax +48 224 404 400  
 geze.pl@geze.com

**Romania**  
**GEZE Romania S.R.L.**  
 IRIDE Business Park,  
 Str. Dimitrie Pompeiu nr. 9-9a,  
 Building 10, Level 2, Sector 2,  
 020335 Bucharest  
 Tel. +40 212507 750  
 Fax +40 316201 258  
 office-romania@geze.com

**Russia**  
**OOO GEZE RUS**  
 Letnikovskaya str. 10/2  
 Floor 6, room VII  
 115114 Moscow  
 Tel. +7 495 741 40 61  
 office-russia@geze.com

**Scandinavia – Sweden**  
**GEZE Scandinavia AB**  
 Mallslingan 10  
 Box 7060  
 18711 Täby, Sweden  
 Tel. +46 87323 400  
 Fax +46 87323 499  
 sverige.se@geze.com

**Scandinavia – Norway**  
**GEZE Scandinavia AB avd. Norge**  
 Industriveien 34 B  
 2073 Dal  
 Tel. +47 63957 200  
 Fax +47 63957 173  
 norge.se@geze.com

**Scandinavia – Denmark**  
**GEZE Danmark**  
 Branch office of GEZE Scandinavia AB  
 Märkærvej 13 L  
 2630 Taastrup  
 Tel. +45 463233 24  
 danmark.se@geze.com

**Singapore**  
**GEZE (Asia Pacific) Pte. Ltd.**  
 21 Bukit Batok Crescent  
 #23-75 Wcega Tower  
 Singapore 658065  
 Tel. +65 6846 1338  
 Fax +65 6846 9353  
 gezesea@geze.com.sg

**South Africa**  
**Geze South Africa (Pty) Ltd.**  
 GEZE, Building 3, 1019 Morkels Close  
 Midrand 1685  
 Tel. +87 94337 88  
 Fax +86 66137 52  
 info@gezesa.co.za

**Switzerland**  
**GEZE Schweiz AG**  
 Zelglimatte 1A  
 6260 Reiden  
 Tel. +41 62 28554 00  
 Fax +41 62 28554 01  
 schweiz.ch@geze.com

**Turkey**  
**GEZE Kapı ve Pencere Sistemleri**  
 San. ve Tic. Ltd. Sti.  
 İstanbul Anadolu Yakası Organize  
 Sanayi Bölgesi  
 Gazi Bulvarı Caddesi 8.Sokak No:8  
 Tuzla-İstanbul  
 Tel. +90 216 45543 15  
 Fax +90 216 45582 15  
 office-turkey@geze.com

**Ukraine**  
**GEZE Ukraine LLC**  
 45, Elektrotekhnicheskaya str.,  
 Kiev, 02222  
 Tel./Fax +38 445012225  
 office-ukraine@geze.com

**United Arab Emirates/GCC**  
**GEZE Middle East**  
 P.O. Box 17903  
 Jebel Ali Free Zone  
 Dubai  
 Tel. +971 48833 112  
 Fax +971 48833 240  
 gezeme@geze.com

**United Kingdom**  
**GEZE UK Ltd.**  
 Blenheim Way  
 Fradley Park  
 Lichfield  
 Staffordshire WS13 8SY  
 Tel. +44 15434430 00  
 Fax +44 15434430 01  
 info.uk@geze.com

GEZE REPRESENTATIVE