

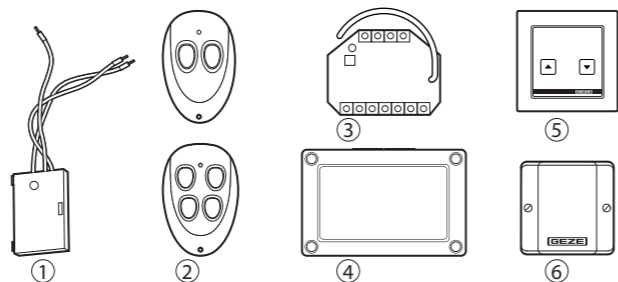
GEZE  
wireless program  
24 V window drives

EN Installation and service  
instructions

195411-06



### 3 Wireless program 24 V window drives



- 1 Transmitting module WTM (Id. No. 131212)
- 2 Remote control WTH-2 (ID no. 131210)  
Remote control WTH-4 (ID no. 131211)
- 3 Receiving module WRM-24 (ID no. 131213)
- 4 Receiving module WRM-24B (Id. No. 131214)
- 5 Vent switch LTA-24-AZ, flush-mounted (Id. No. 129393)
- 6 e.g. power supply NT 1,5 A-24 V (ID no. 151425)

### 4 Functional description

#### 4.1 "OPEN" / "CLOSE" command

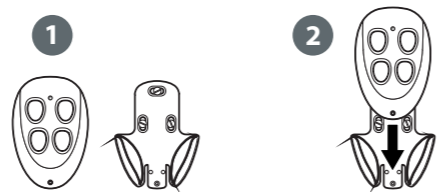
- ▶ In order to open or close windows press the correspondingly taught push button on the transmitter.

#### 4.2 "STOP" command

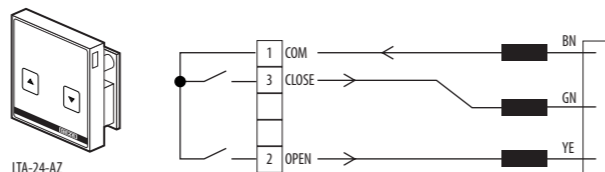
- ▶ In order to stop windows during opening or closing press the corresponding opposite button on the transmitter.

### 5 Mounting / connection

#### 5.1 Connecting the radio transmitter

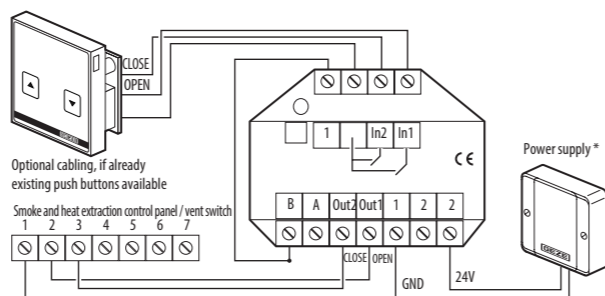


Remote control with wall holder

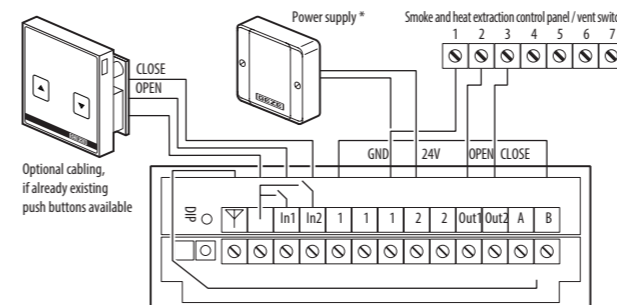


Connecting the transmitting module WTM to the vent switch LTA-24-AZ

#### 5.2 Connecting the receiving module



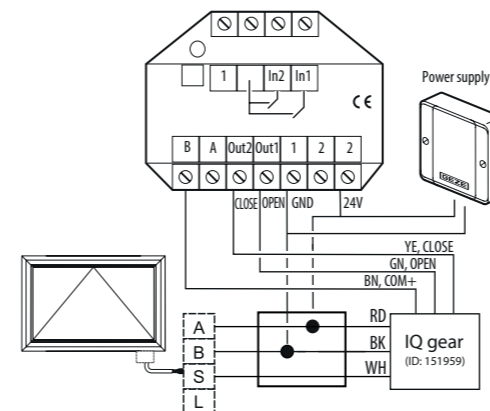
Connecting the receiving module WRM-24 to the smoke and heat extraction control panel



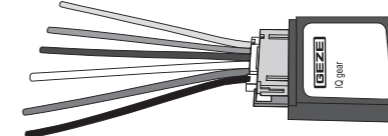
Connecting the receiving module WRM-24B to the smoke and heat extraction control panel

- \* To ensure emergency power operation the receiving module may not be supplied battery-buffered from the smoke and heat extraction control panel.

#### 5.3 Connection of the receiving module to IQ gear

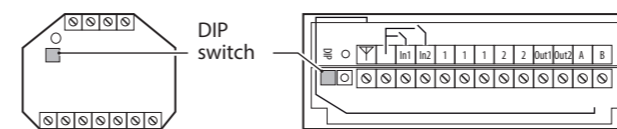


- YE CLOSE
- GN OPEN
- BN COM
- WH Signal
- RD 24V
- BK GND



#### 5.4 Receiving module operating mode

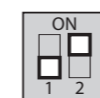
- ! The operating mode is set by means of the DIP switch at the receiving module that has to be set correctly before commissioning.



DIP switch at the receiving module WRM-24 and WRM-24B

#### Operation without latching:

- Activation as long as the wireless key is kept pressed.

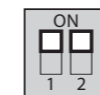


DIP1 = OFF  
DIP2 = ON

- ! Wireless signal drops after approx. 10 seconds. Smoke and heat extraction control panel or drive resp. must be set to dead man's operation.

#### Operation with latching:

- Activation triggers permanent signal for latching operation.



DIP1 = ON  
DIP2 = ON

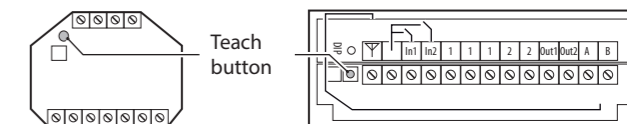
- ! The permanent signal drops after 10 minutes.

### 6 Commissioning

- ! Set DIP switch before teach-in. See section 5.4.

#### 6.1 Teaching radio transmitters

For safety reasons the radio transmitter can only be taught during the first 5 minutes after the operating voltage has been switched on at the drive.



Teach button at the receiving module WRM-24 and WRM-24B

- ▶ Press the teach button on the receiving module for approx. 1 second in order to activate teach-in.
  - The receiving module beeps 1x briefly every 3 seconds.
  - The memory for the "Open" function is selected.
- ▶ Press the corresponding push button for "OPEN" on the radio transmitter briefly within 30 seconds.
  - The receiving module beeps 1x long as confirmation and then every 2x every 3 seconds.
  - The memory for the "Close" function is selected.
- ▶ Press the corresponding push button for "CLOSE" on the radio transmitter briefly within 30 seconds.
  - The receiving module beeps 1x long as confirmation.
  - The receiving module has been taught successfully and terminates teaching mode automatically.

If further radio transmitters are to be taught, repeat the steps accordingly.

A maximum of 85 radio transmitters can be taught per receiving module. If more than 85 radio transmitters are to be taught, additional receiving modules are to be connected correspondingly.

#### 6.2 Deleting radio transmitters

For safety reasons the radio transmitter can only be deleted during the first 5 minutes after the operating voltage has been switched on.

- ▶ Press the teach button at the receiving module for approx. 10 seconds.
  - The receiving module beeps 1x long as confirmation.
  - All the taught radio transmitters have been deleted successfully from the memory.

Taught radio transmitters can only be overwritten. If a taught radio transmitter is to be deleted, all the taught radio transmitters have to be deleted.

### 7 Maintenance / battery change

#### 7.1 Remote control

The battery service life is designed for approx. 30 000 operations. When the battery power declines, the LED begins to flash during operation. The battery should then be replaced by a new battery A23/MN21/P23GA (ID no. 131217).


#### 7.2 Transmitting module


The battery service life is designed for approx. 100 000 operations. When the battery power declines, the LED begins to flash during operation. The battery should then be replaced by a new CR 2032 battery (ID no. 131218).

## 8 Technical data

Frequency:	433.92 MHz
Transmission power:	<10 mW ERP
Range:	approx. 30 m
Security:	Rolling code
Power supply:	WTH: 12 V, battery A23/MN21/P23GA, 50 mAh
	WTM: 3 V, CR2032, 220 mAh
	WRM-24: 24 V, 12.5 mA (current consumption during standby)
	WRM-24B: 24 V, 12.5 mA (current consumption during standby)
Relay contact:	WRM-24: 2 outputs 100 mA, 48 V
	WRM-24B: 2 outputs 100 mA, 48 V
Dimensions (W × H × D):	WTH: 78 × 51 × 23 mm
	WTM: 44 × 30 × 11 mm
	WRM-24: 52 × 47 × 23 mm
	WRM-24B: 130 × 80 × 35 mm
IP rating:	WTH: IP 54
	WTM: IP 20
	WRM-24 IP 20
	WRM-24B IP 54
Storage temperature:	−20 to +85 °C
Service temperature	0 to +50°C
Humidity:	max. 95%, non-condensing

## 9 Declaration of conformity

 GEZE GmbH hereby declares that the wireless system type GEZE wireless program 24 V window drives complies with the Directives 2014/53/EU and 2011/65/EU. The complete text of the EU Declaration of Conformity is available at the following internet address: [www.geze.com](http://www.geze.com)

 For EU countries: In compliance with Directive 2012/19/EU concerning Waste Electrical and Electronic Equipment (WEEE).

**Germany**  
GEZE GmbH  
Niederlassung Süd-West  
Tel. +49 (0) 7152 203 594  
E-Mail: [leonberg.de@geze.com](mailto:leonberg.de@geze.com)  
GEZE GmbH  
Niederlassung Süd-Ost  
Tel. +49 (0) 7152 203 6440  
E-Mail: [muenchen.de@geze.com](mailto:muenchen.de@geze.com)  
GEZE GmbH  
Niederlassung Ost  
Tel. +49 (0) 7152 203 6840  
E-Mail: [berlin.de@geze.com](mailto:berlin.de@geze.com)  
GEZE GmbH  
Niederlassung Mitte/Luxemburg  
Tel. +49 (0) 7152 203 6888  
E-Mail: [frankfurt.de@geze.com](mailto:frankfurt.de@geze.com)  
GEZE GmbH  
Niederlassung West  
Tel. +49 (0) 7152 203 6770  
E-Mail: [duesseldorf.de@geze.com](mailto:duesseldorf.de@geze.com)  
GEZE GmbH  
Niederlassung Nord  
Tel. +49 (0) 7152 203 6600  
E-Mail: [hamburg.de@geze.com](mailto:hamburg.de@geze.com)  
GEZE Service GmbH  
Tel. +49 (0) 1802 923392  
E-Mail: [service-info.de@geze.com](mailto:service-info.de@geze.com)  
**Austria**  
GEZE Austria  
E-Mail: [austria.at@geze.com](mailto:austria.at@geze.com)  
[www.geze.at](http://www.geze.at)  
**Baltic States –**  
Lithuania / Latvia / Estonia  
E-Mail: [baltic-states@geze.com](mailto:baltic-states@geze.com)  
**Benelux**  
GEZE Benelux B.V.  
E-Mail: [benelux.nl@geze.com](mailto:benelux.nl@geze.com)  
[www.geze.be](http://www.geze.be)  
[www.geze.nl](http://www.geze.nl)  
**Bulgaria**  
GEZE Bulgaria - Trade  
E-Mail: [office-bulgaria@geze.com](mailto:office-bulgaria@geze.com)  
[www.geze.bg](http://www.geze.bg)

**China**  
GEZE Industries (Tianjin) Co., Ltd.  
E-Mail: [chinasales@geze.com.cn](mailto:chinasales@geze.com.cn)  
[www.geze.com.cn](http://www.geze.com.cn)  
GEZE Industries (Tianjin) Co., Ltd.  
Branch Office Shanghai  
E-Mail: [chinasales@geze.com.cn](mailto:chinasales@geze.com.cn)  
[www.geze.com.cn](http://www.geze.com.cn)  
GEZE Industries (Tianjin) Co., Ltd.  
Branch Office Guangzhou  
E-Mail: [chinasales@geze.com.cn](mailto:chinasales@geze.com.cn)  
[www.geze.com.cn](http://www.geze.com.cn)  
GEZE Industries (Tianjin) Co., Ltd.  
Branch Office Beijing  
E-Mail: [chinasales@geze.com.cn](mailto:chinasales@geze.com.cn)  
[www.geze.com.cn](http://www.geze.com.cn)  
**France**  
GEZE France S.A.R.L.  
E-Mail: [france.fr@geze.com](mailto:france.fr@geze.com)  
[www.geze.fr](http://www.geze.fr)  
**Hungary**  
GEZE Hungary Kft.  
E-Mail: [office-hungary@geze.com](mailto:office-hungary@geze.com)  
[www.geze.hu](http://www.geze.hu)  
**Iberia**  
GEZE Iberia S.R.L.  
E-Mail: [info.es@geze.com](mailto:info.es@geze.com)  
[www.geze.es](http://www.geze.es)  
**India**  
GEZE India Private Ltd.  
E-Mail: [office-india@geze.com](mailto:office-india@geze.com)  
[www.geze.in](http://www.geze.in)  
**Italy**  
GEZE Italia S.r.l  
E-Mail: [italia.it@geze.com](mailto:italia.it@geze.com)  
[www.geze.it](http://www.geze.it)  
GEZE Engineering Roma S.r.l  
E-Mail: [italia.it@geze.com](mailto:italia.it@geze.com)  
[www.geze.it](http://www.geze.it)  
**Korea**  
GEZE Korea Ltd.  
E-Mail: [info.kr@geze.com](mailto:info.kr@geze.com)  
[www.geze.com](http://www.geze.com)  
**Poland**  
GEZE Polska Sp.z o.o.  
E-Mail: [geze.pl@geze.com](mailto:geze.pl@geze.com)  
[www.geze.pl](http://www.geze.pl)

**Romania**  
GEZE Romania S.R.L.  
E-Mail: [office-romania@geze.com](mailto:office-romania@geze.com)  
[www.geze.ro](http://www.geze.ro)  
**Russia**  
OOO GEZE RUS  
E-Mail: [office-russia@geze.com](mailto:office-russia@geze.com)  
[www.geze.ru](http://www.geze.ru)  
**Scandinavia – Sweden**  
GEZE Scandinavia AB  
E-Mail: [sverige.se@geze.com](mailto:sverige.se@geze.com)  
[www.geze.se](http://www.geze.se)  
**Scandinavia – Norway**  
GEZE Scandinavia AB avd. Norge  
E-Mail: [norge.se@geze.com](mailto:norge.se@geze.com)  
[www.geze.no](http://www.geze.no)  
**Scandinavia – Denmark**  
GEZE Danmark  
E-Mail: [danmark.se@geze.com](mailto:danmark.se@geze.com)  
[www.geze.dk](http://www.geze.dk)  
**Singapore**  
GEZE (Asia Pacific) Pte. Ltd.  
E-Mail: [gezesea@geze.com.sg](mailto:gezesea@geze.com.sg)  
[www.geze.com](http://www.geze.com)  
**South Africa**  
GEZE South Africa (Pty) Ltd.  
E-Mail: [info@gezesa.co.za](mailto:info@gezesa.co.za)  
[www.geze.co.za](http://www.geze.co.za)  
**Switzerland**  
GEZE Schweiz AG  
E-Mail: [schweiz.ch@geze.com](mailto:schweiz.ch@geze.com)  
[www.geze.ch](http://www.geze.ch)  
**Turkey**  
GEZE Kapi ve Pencere Sistemleri  
E-Mail: [office-turkey@geze.com](mailto:office-turkey@geze.com)  
[www.geze.com](http://www.geze.com)  
**Ukraine**  
LLC GEZE Ukraine  
E-Mail: [office-ukraine@geze.com](mailto:office-ukraine@geze.com)  
[www.geze.ua](http://www.geze.ua)  
**United Arab Emirates/GCC**  
GEZE Middle East  
E-Mail: [gezeme@geze.com](mailto:gezeme@geze.com)  
[www.geze.ae](http://www.geze.ae)  
**United Kingdom**  
GEZE UK Ltd.  
E-Mail: [info.uk@geze.com](mailto:info.uk@geze.com)  
[www.geze.com](http://www.geze.com)

**GEZE GmbH**  
Reinhold-Vöster-Straße 21–29  
71229 Leonberg  
Germany  
Tel.: 0049 7152 203 0  
Fax: 0049 7152 203 310  
[www.geze.com](http://www.geze.com)

