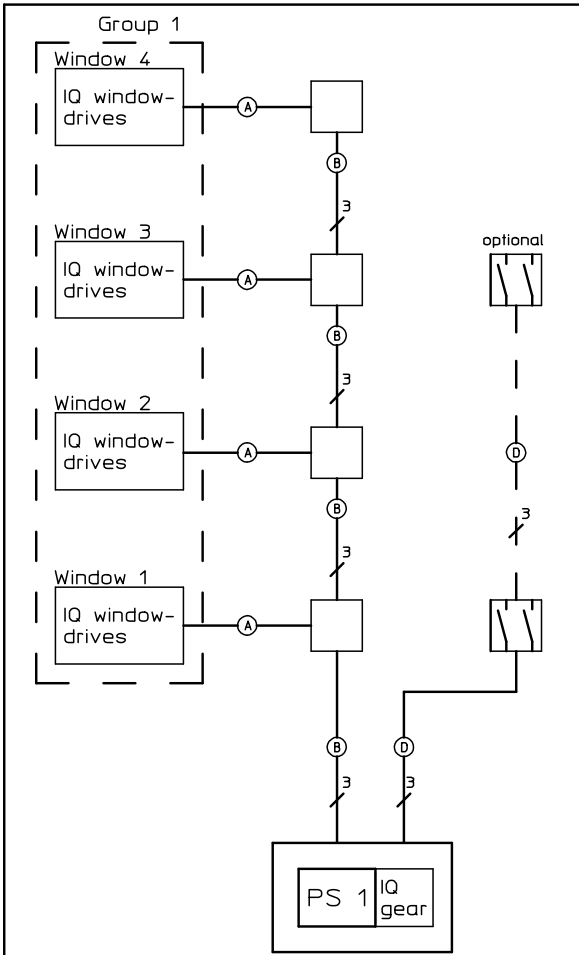
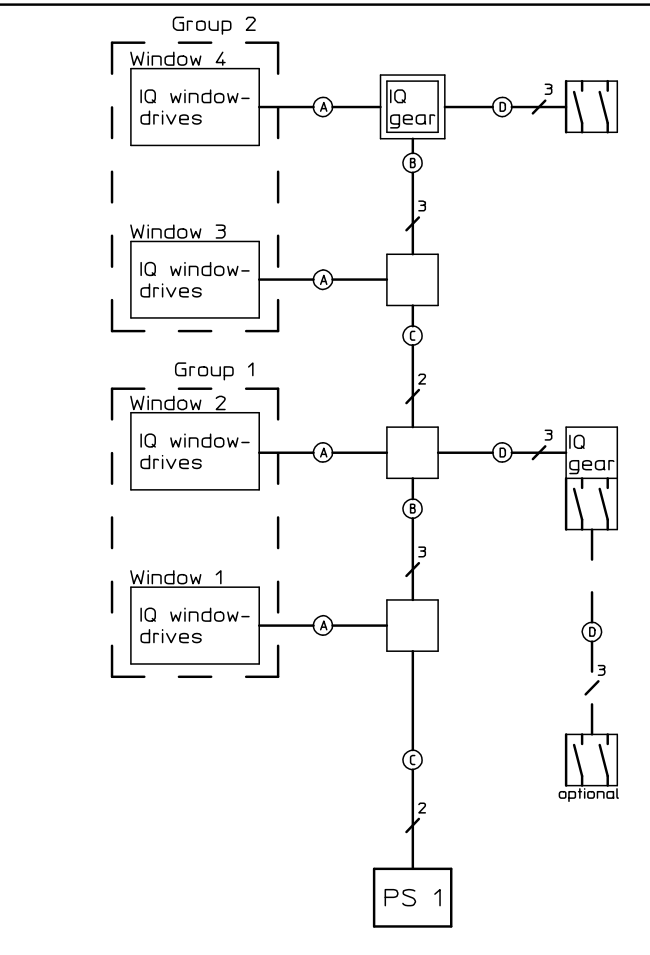


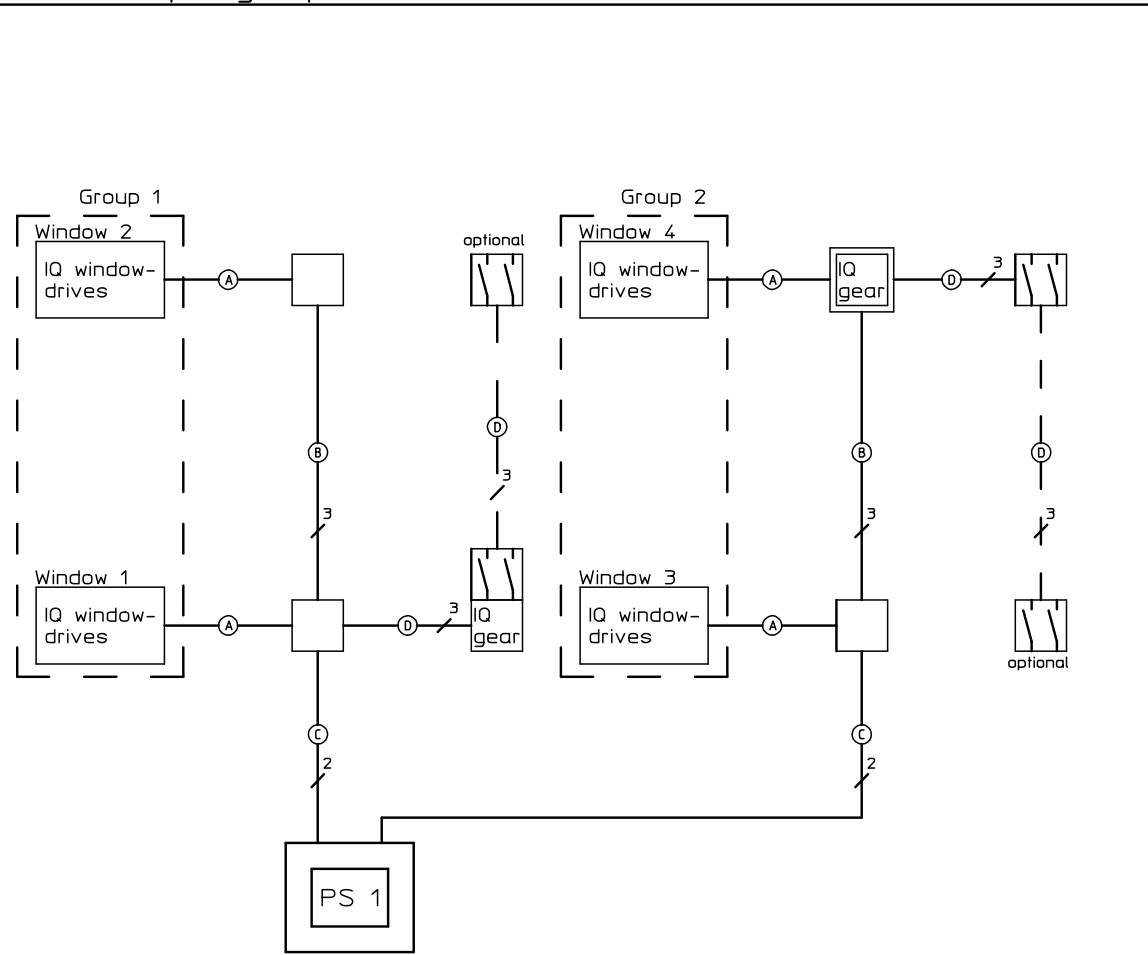
1 power supply, 1 group



1 power supply, several groups
all groups in a power supply line



1 power supply, several groups
1 strand per group



PS = Power supply
 Ⓐ Silicone 4x0,75 qmm (from factory, standard: 2 m)
 Ⓑ example: NYM-O 3x... qmm
 Ⓒ example: NYM-J 3x... qmm
 Ⓓ example: J-Y(St)Y 2x2x0,8 mm
 For B and C, determine cross-section depending on length of cable and current consumption

+ (A) and - (B) must be looped between the groups (see wiring diagram).

max. 10 drives per IQ gear can be connected
 max. cable length between IQ gear and IQ windowdrives: 100 m

The trigger signals "Open" and "Close" can be provided by push buttons, radio receiver modules or a building management system. Potential-free closer contacts are required. The IQ gear can be housed near the power supply, the push buttons or in a branch box. Parameters are set for the operating mode (self-locking or dead-man) in the drive.

This cable plan shows examples. With a different distribution, the cable routing (number of wires) must be adapted accordingly. The wiring diagrams 152801 (IQ gear) and 148327 (IQ windowdrives) apply.

Colour	Initials previously in accordance with DIN 47002	New initials in accordance with DIN IEC 757
Black	sw	BK
Brown	br	BN
Red	rt	RD
Orange	or	OG
Yellow	ge	YE
Green	gn	GN
Blue	bl	BU
Violet	vi	VT
Grey	gr	GY
White	ws	WH
Pink	rs	PK
Turquoise	lk	TQ

Caution: do not place cords under plaster!
 Protect the device from construction dirt and spurts of water.

Important installation rules for the user
 Laying lines and connections only by authorised electric company.
 We will not assume guarantee or services for combinations with outside products.
 During installation, the pertinent rules, especially VDE 0833/0815, must be observed. The utilised cable type must be determined together with the local acceptance authorities; use fire protection cable (E30 or E90), if necessary.

Cable cross section (min. 1,5 qmm)

$$\text{Cable cross section} = \frac{\text{Overall power of cable length} \times \text{all drives}}{73}$$

 Example with two drives "Slimchain"

$$\frac{40 \text{ m} \times 2 \times 0,9 \text{ A}}{73} = 0,99 \rightarrow 1,5 \text{ qmm}$$

GEZE GmbH P.O. Box 13 63 71226 Leonberg Germany		Benennung / designation <h3>Cable plan IQ gear</h3> 1 Netzteil	
vertraulich / confidential		Blatt / von sheet / of 1 / -	
erstellt / drawn gepr. / checked	Datum / date 07.08.13	Name / name u299	Material-Nr. ID-no. 45138-9-0959
Ersatz für: subst. for:		Sprache / language GB	Zeichnungs-Nr. / document-no.
EMPB (Dokversion / docversion)		Datum / date 07.08.13	Name / name u299
*		Ersetzt durch: subst. with:	

Diese Zeichnung entspricht dem Entwicklungsstand des Zeichnungsdatums bzw. der letzten Änderungseintragung. Aus der Benützung der Zeichnung können keine Ansprüche, gleich welcher Art, einschließlich Schadenersatzansprüche, abgeleitet und gegen GEZE geltend gemacht werden. Die Zeichnung bleibt unser Eigentum und ist Dritten nur für die Vertragsdauer zur Benutzung überlassen. Sämtliche sich aus der Zeichnung ergebenden Ansprüche stehen ausschließlich GEZE zu. Ohne vorherige Zustimmung von GEZE darf diese Zeichnung weder vervielfältigt noch Dritten zugänglich gemacht werden.
 This drawing shows the actual state of product development at the date of the drawing or the revision date. No claims or damages in any form can be made against GEZE as a result of the interpretation of this drawing. This drawing remains the property of GEZE and is made available to third parties only for the duration of contractual obligations. All rights connected with this drawing remain in possession of GEZE. This drawing may not be copied or handed over to third parties without the express consent of GEZE.